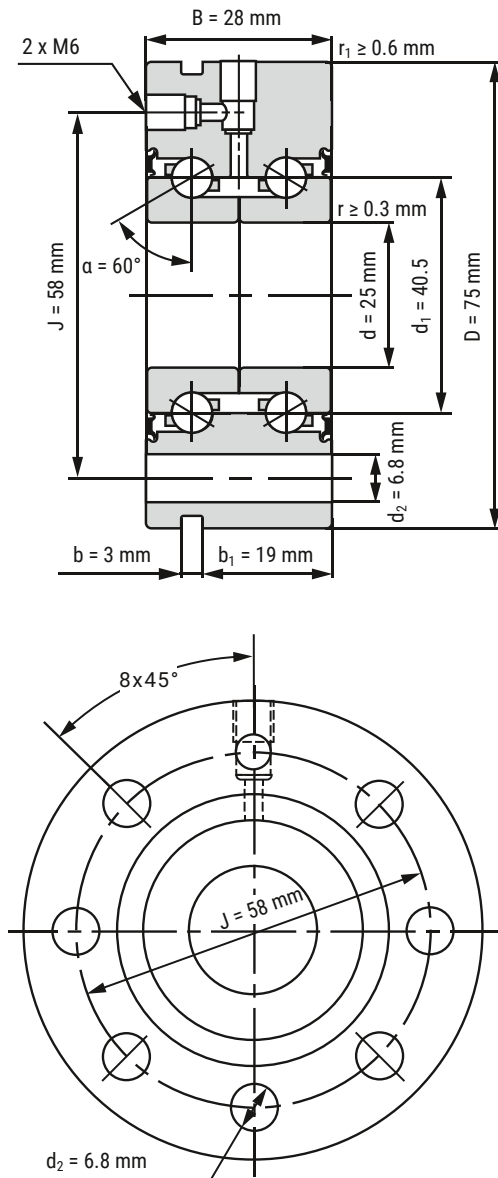


Axial Angular Ball Bearing ZKLF2575-2RS-P4



d	25 mm
D	75 mm
B	28 mm

d ₁	40.5 mm
d ₂	6.8 mm
J	58 mm
b	3 mm
b ₁	19 mm
r _{min}	0.3 mm
r _{1 min}	0.6 mm
n	8
t	45°
α	60°

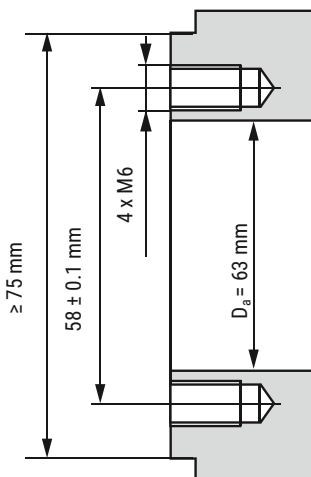
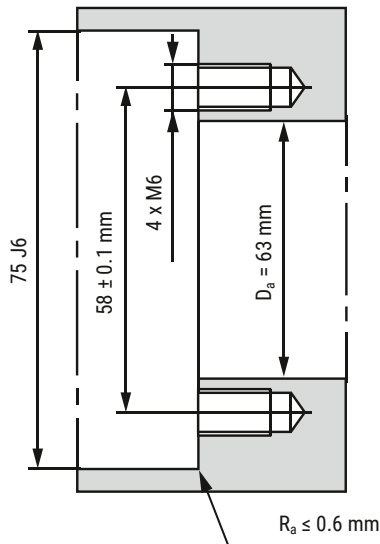
m	0.72 kg	Mass
C _a	28.1 kN	Basic dynamic load rating, Axial
C _{oa}	55 kN	Basic static load rating, Axial
C _{ua}	2.52 kN	Fatigue limit load
Runout	2 μm	Axial, based on rotating inner ring
M _{RL}	0.4 Nm	Frictional torque
C _{aL}	750 N/μm	Axial rigidity
C _{kL}	200 N/mrad	Tilting rigidity

i All indications were made carefully and verified. Kugellager-Express doesn't assume any liability for incomplete or false indications.

HERE YOU'LL FIND THE
ITEM WEBPAGE
(click or scan)

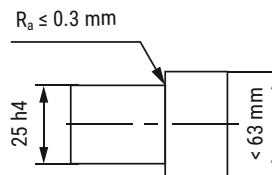


Axial Angular Ball Bearing ZKLF2575-2RS-P4



D_a	63 mm
d_a	32 mm
n_a	4
M_a	M6

M_m	486 kg · cm ²	Mass moment of inertia for rotating inner ring
F_a	9123 N	Axial required locknut force
Speeds	5700 rpm	Limiting speed
	2600 rpm	Thermally safe operating speed



i All indications were made carefully and verified. Kugellager-Express doesn't assume any liability for incomplete or false indications.

HERE YOU'LL FIND THE
ITEM WEBPAGE
(click or scan)

