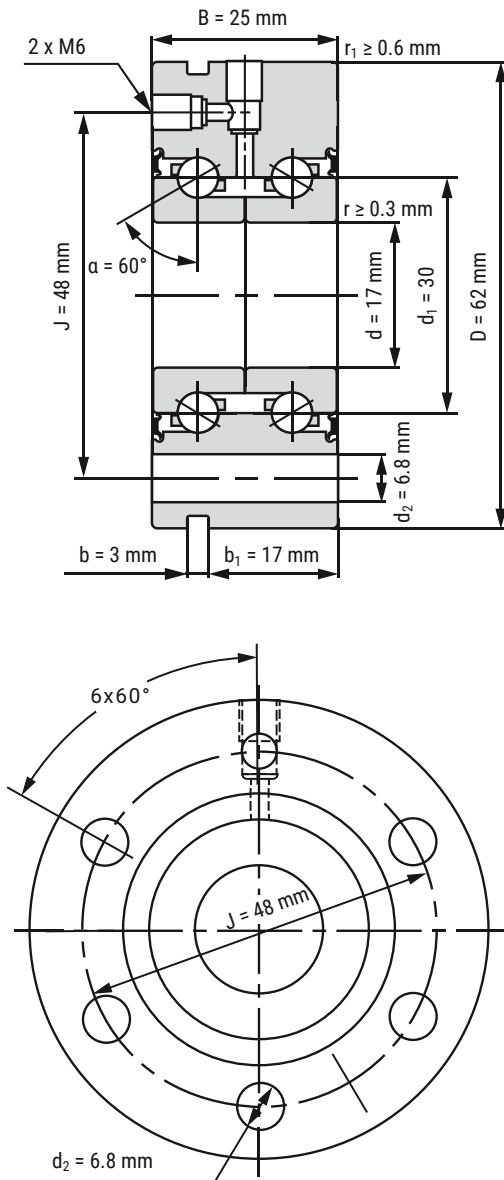


Axial Angular Ball Bearing ZKLF1762-2RS-P4



d	17 mm
D	62 mm
B	25 mm

d ₁	30 mm
d ₂	6.8 mm
J	48 mm
b	3 mm
b ₁	17 mm
r _{min}	0.3 mm
r _{1 min}	0.6 mm
n	6
t	60°
α	60°

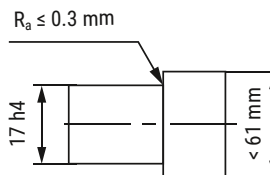
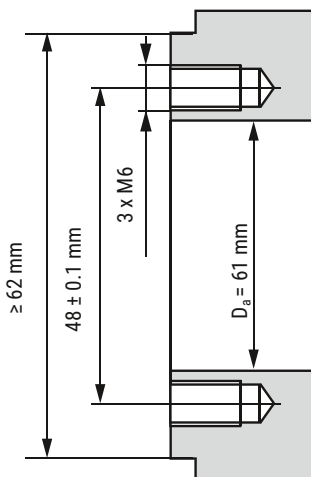
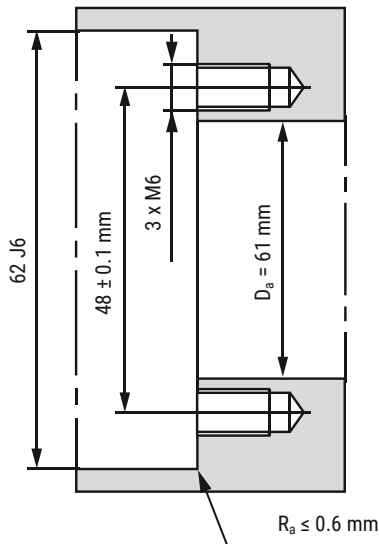
m	0.45 kg	Mass
C _a	19.1 kN	Basic dynamic load rating, Axial
C _{oa}	31 kN	Basic static load rating, Axial
C _{ua}	1.42 kN	Fatigue limit load
Runout	2 μm	Axial, based on rotating inner ring
M _{RL}	0.24 Nm	Frictional torque
C _{aL}	450 N/μm	Axial rigidity
C _{kL}	80 N/mrad	Tilting rigidity

i All indications were made carefully and verified. Kugellager-Express doesn't assume any liability for incomplete or false indications.

HERE YOU'LL FIND THE
ITEM WEBPAGE
(click or scan)



Axial Angular Ball Bearing ZKLF1762-2RS-P4



D_a	61 mm
d_a	23 mm
n_a	3
M_a	M6

M_m	132 kg · cm ²	Mass moment of inertia for rotating inner ring
F_a	7514 N	Axial required locknut force
Speeds	7600 rpm	Limiting speed
	3300 rpm	Thermally safe operating speed

i All indications were made carefully and verified. Kugellager-Express doesn't assume any liability for incomplete or false indications.

HERE YOU'LL FIND THE
ITEM WEBPAGE
(click or scan)

