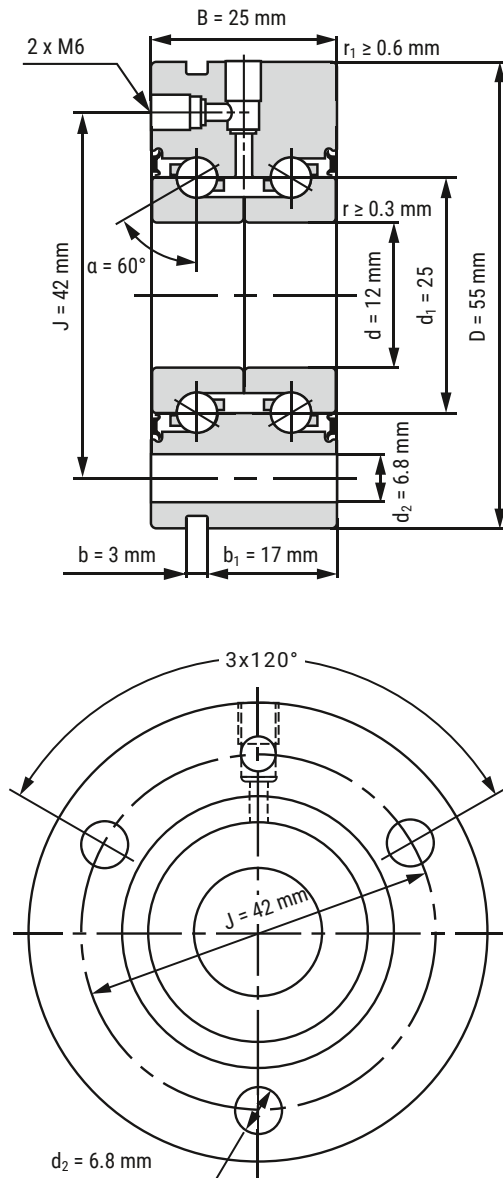


## Axial Angular Ball Bearing ZKLF1255-2RS-P4



d	12 mm
D	55 mm
B	25 mm

d <sub>1</sub>	25 mm
d <sub>2</sub>	6.8 mm
J	42 mm
b	3 mm
b <sub>1</sub>	17 mm
r <sub>min</sub>	0.3 mm
r <sub>1 min</sub>	0.6 mm
n	3
t	120°
α	60°

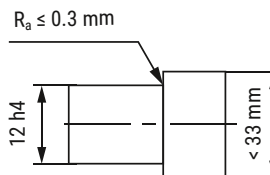
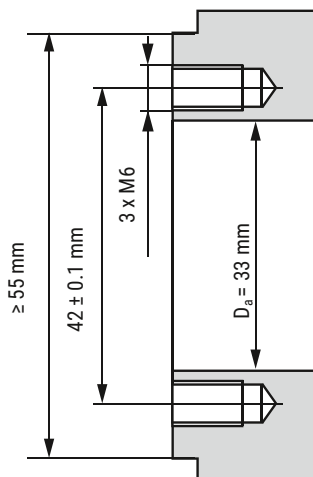
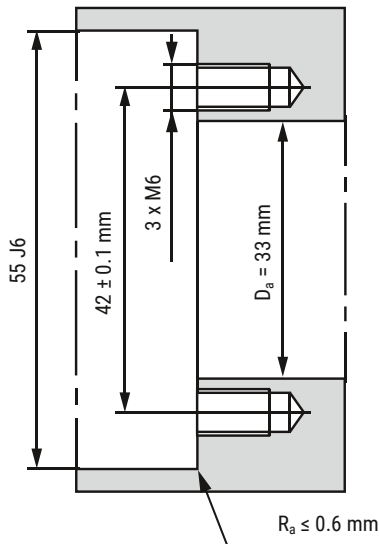
m	0.37 kg	Mass
C <sub>a</sub>	17.2 kN	Basic dynamic load rating, Axial
C <sub>oa</sub>	24.7 kN	Basic static load rating, Axial
C <sub>ua</sub>	1.12 kN	Fatigue limit load
Runout	2 μm	Axial, based on rotating inner ring
M <sub>RL</sub>	0.16 Nm	Frictional torque
C <sub>aL</sub>	375 N/μm	Axial rigidity
C <sub>kL</sub>	50 N/mrad	Tilting rigidity

**i** All indications were made carefully and verified. Kugellager-Express doesn't assume any liability for incomplete or false indications.

HERE YOU'LL FIND THE  
ITEM WEBPAGE  
(click or scan)



## Axial Angular Ball Bearing ZKLF1255-2RS-P4



$D_a$	33 mm
$d_a$	16 mm
$n_a$	3
$M_a$	M6

$M_m$	68 kg · cm <sup>2</sup>	Mass moment of inertia for rotating inner ring
$F_a$	5307 N	Axial required locknut force
Speeds	9200 rpm	Limiting speed
	3800 rpm	Thermally safe operating speed

**i** All indications were made carefully and verified. Kugellager-Express doesn't assume any liability for incomplete or false indications.

HERE YOU'LL FIND THE  
ITEM WEBPAGE  
(click or scan)

