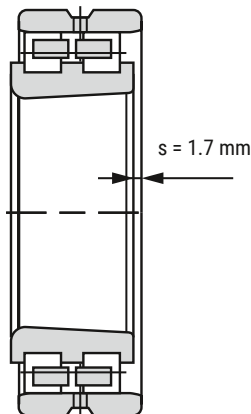
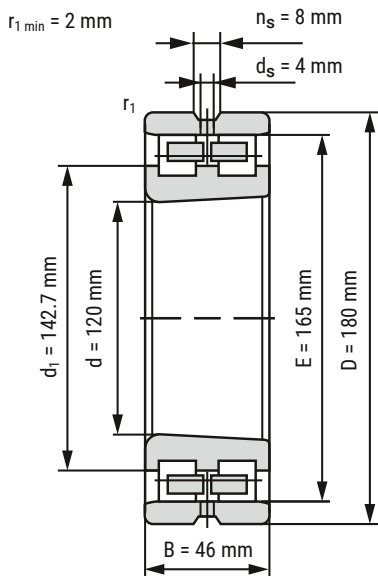


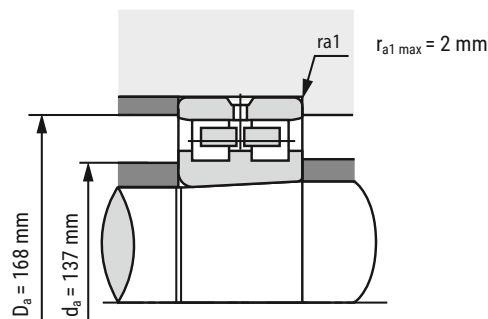
High Precision Cylindrical Roller Bearing NN3024-AS-K-M-SP



d	120 mm
D	180 mm
B	46 mm

D_a	168 mm	Tolerance: H12
d_a	137 mm	Tolerance: h12
r_{1 min}	2 mm	
r_{a1 max}	2 mm	
E	165 mm	
d₁	142.7 mm	
n_s	8 mm	
d_s	4 mm	
s	1.7 mm	Axial displacement

m	3.94 kg	Mass
C_r	233000 N	Basic dynamic load rating, radial
C_{0r}	394000 N	Basic static load rating, radial
n_{G Grease}	4300 r/min	Limiting speed grease lubrication
n_{O Oil}	5000 r/min	Limiting speed oil lubrication



i All indications were made carefully and verified. Kugellager-Express doesn't assume any liability for incomplete or false indications.

HERE YOU'LL FIND THE
ITEM WEBPAGE
(click or scan)

