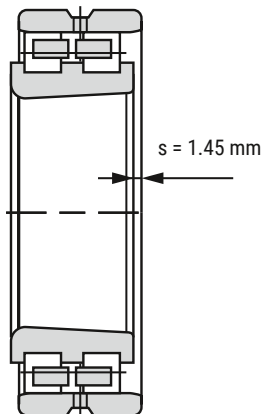
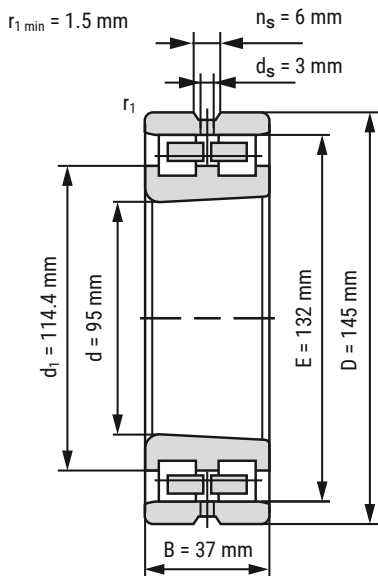


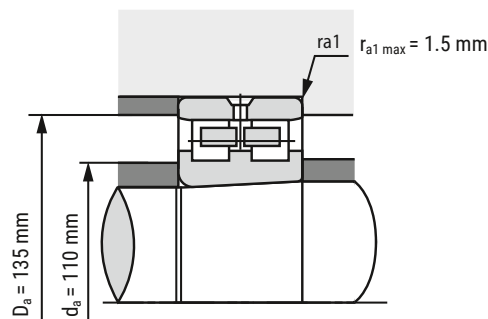
High Precision Cylindrical Roller Bearing NN3019-AS-K-M-SP



d	95 mm
D	145 mm
B	37 mm

Da	135 mm	Tolerance: H12
da	110 mm	Tolerance: h12
r1 min	1.5 mm	
ra1 max	1.5 mm	
E	132 mm	
d1	114.4 mm	
ns	6 mm	
ds	3 mm	
s	1.45 mm	Axial displacement

m	2.14 kg	Mass
Cr	146000 N	Basic dynamic load rating, radial
Cor	239000 N	Basic static load rating, radial
nG Grease	5300 r/min	Limiting speed grease lubrication
nO Oil	6300 r/min	Limiting speed oil lubrication



i All indications were made carefully and verified. Kugellager-Express doesn't assume any liability for incomplete or false indications.

HERE YOU'LL FIND THE
ITEM WEBPAGE
(click or scan)

