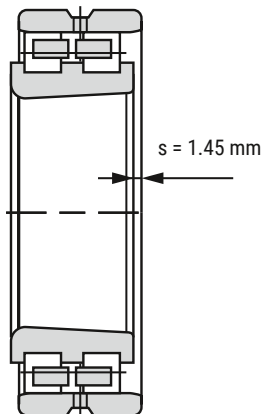
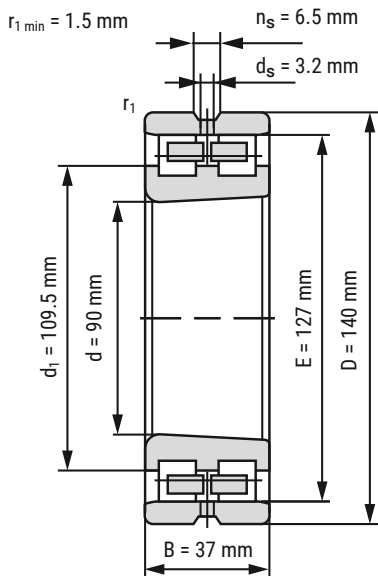


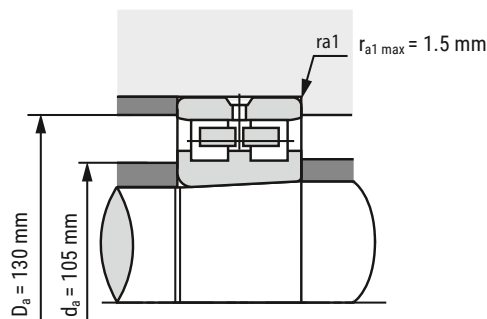
## High Precision Cylindrical Roller Bearing NN3018-AS-K-M-SP



<b>d</b>	90 mm
<b>D</b>	140 mm
<b>B</b>	37 mm

<b>D<sub>a</sub></b>	130 mm	Tolerance: H12
<b>d<sub>a</sub></b>	105 mm	Tolerance: h12
<b>r<sub>1 min</sub></b>	1.5 mm	
<b>r<sub>a1 max</sub></b>	1.5 mm	
<b>E</b>	127 mm	
<b>d<sub>1</sub></b>	109.5 mm	
<b>n<sub>s</sub></b>	6.5 mm	
<b>d<sub>s</sub></b>	3.2 mm	
<b>s</b>	1.45 mm	Axial displacement

<b>m</b>	2.05 kg	Mass
<b>C<sub>r</sub></b>	142000 N	Basic dynamic load rating, radial
<b>C<sub>0r</sub></b>	227000 N	Basic static load rating, radial
<b>n<sub>G Grease</sub></b>	5600 r/min	Limiting speed grease lubrication
<b>n<sub>O Oil</sub></b>	6700 r/min	Limiting speed oil lubrication



**i** All indications were made carefully and verified. Kugellager-Express doesn't assume any liability for incomplete or false indications.

HERE YOU'LL FIND THE  
ITEM WEBPAGE  
(click or scan)

