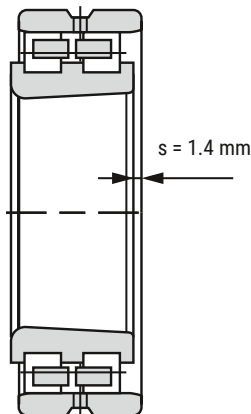
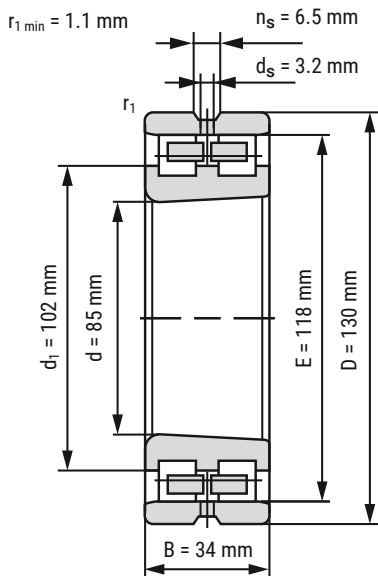


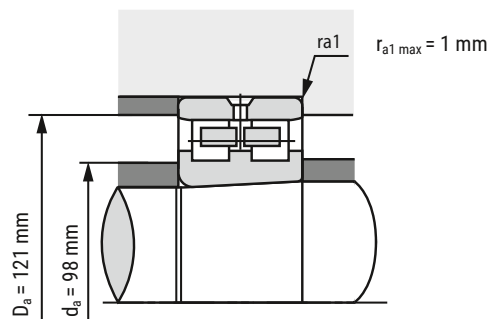
## High Precision Cylindrical Roller Bearing NN3017-AS-K-M-SP



<b>d</b>	85 mm
<b>D</b>	130 mm
<b>B</b>	34 mm

<b>D<sub>a</sub></b>	121 mm	Tolerance: H12
<b>d<sub>a</sub></b>	98 mm	Tolerance: h12
<b>r<sub>1 min</sub></b>	1.1 mm	
<b>r<sub>a1 max</sub></b>	1 mm	
<b>E</b>	118 mm	
<b>d<sub>1</sub></b>	102 mm	
<b>n<sub>s</sub></b>	6.5 mm	
<b>d<sub>s</sub></b>	3.2 mm	
<b>s</b>	1.4 mm	Axial displacement

<b>m</b>	1.58 kg	Mass
<b>C<sub>r</sub></b>	120000 N	Basic dynamic load rating, radial
<b>C<sub>0r</sub></b>	190000 N	Basic static load rating, radial
<b>n<sub>G Grease</sub></b>	6000 r/min	Limiting speed grease lubrication
<b>n<sub>O Oil</sub></b>	7000 r/min	Limiting speed oil lubrication



**i** All indications were made carefully and verified. Kugellager-Express doesn't assume any liability for incomplete or false indications.

HERE YOU'LL FIND THE  
ITEM WEBPAGE  
(click or scan)

