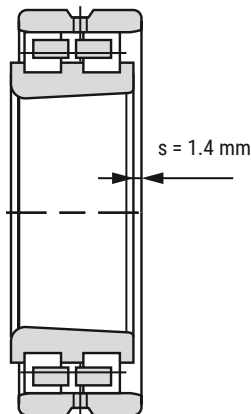
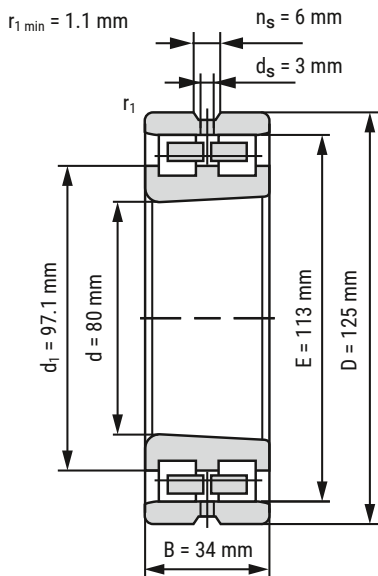


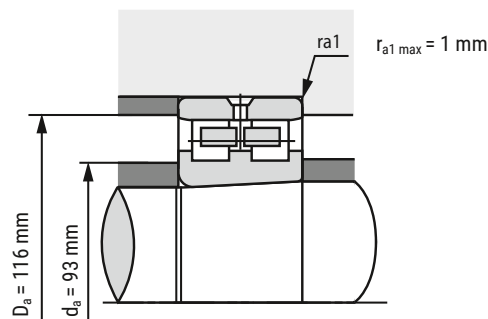
High Precision Cylindrical Roller Bearing NN3016-AS-K-M-SP



d	80 mm
D	125 mm
B	34 mm

Da	116 mm	Tolerance: H12
da	93 mm	Tolerance: h12
r1 min	1.1 mm	
ra1 max	1 mm	
E	113 mm	
d1	97.1 mm	
ns	6 mm	
ds	3 mm	
s	1.4 mm	Axial displacement

m	1.51 kg	Mass
Cr	115000 N	Basic dynamic load rating, radial
Cor	177000 N	Basic static load rating, radial
nG Grease	6300 r/min	Limiting speed grease lubrication
nO Oil	7500 r/min	Limiting speed oil lubrication



i All indications were made carefully and verified. Kugellager-Express doesn't assume any liability for incomplete or false indications.

HERE YOU'LL FIND THE
ITEM WEBPAGE
(click or scan)

