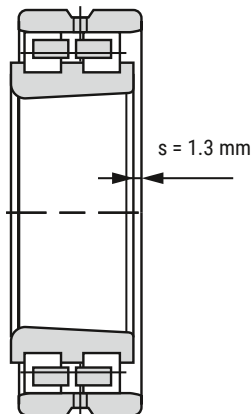
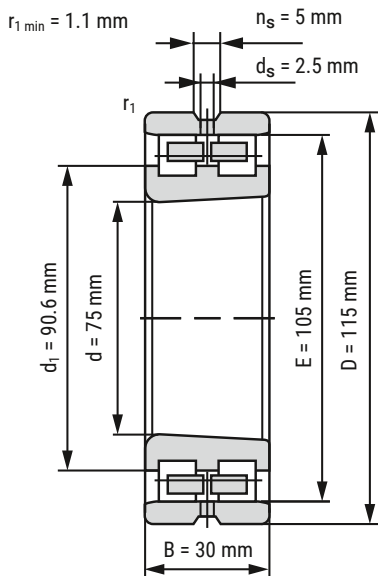


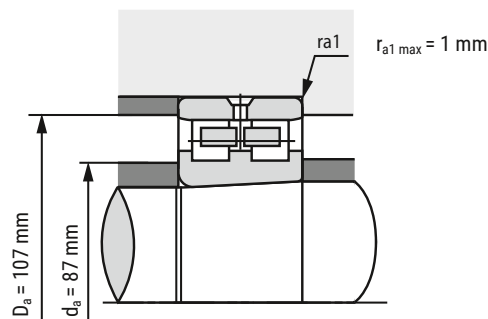
## High Precision Cylindrical Roller Bearing NN3015-AS-K-M-SP



<b>d</b>	75 mm
<b>D</b>	115 mm
<b>B</b>	30 mm

<b>Da</b>	107 mm	Tolerance: H12
<b>da</b>	87 mm	Tolerance: h12
<b>r1 min</b>	1.1 mm	
<b>ra1 max</b>	1 mm	
<b>E</b>	105 mm	
<b>d1</b>	90.6 mm	
<b>ns</b>	5 mm	
<b>ds</b>	2.5 mm	
<b>s</b>	1.3 mm	Axial displacement

<b>m</b>	1.09 kg	Mass
<b>Cr</b>	99300 N	Basic dynamic load rating, radial
<b>Cor</b>	155000 N	Basic static load rating, radial
<b>nG Grease</b>	6700 r/min	Limiting speed grease lubrication
<b>nO Oil</b>	8000 r/min	Limiting speed oil lubrication



**i** All indications were made carefully and verified. Kugellager-Express doesn't assume any liability for incomplete or false indications.

HERE YOU'LL FIND THE  
ITEM WEBPAGE  
(click or scan)

