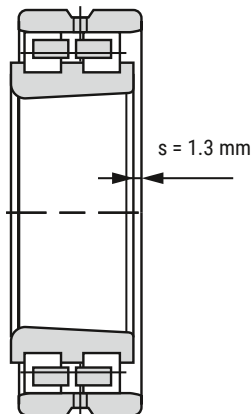
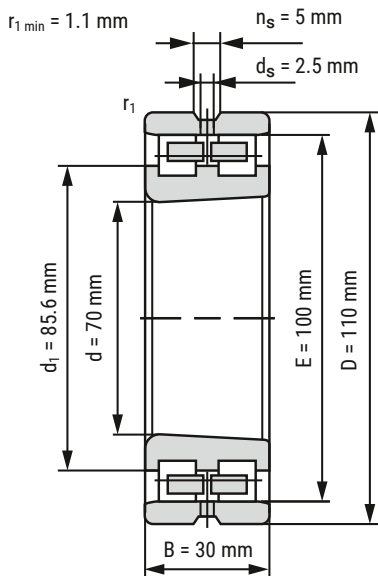


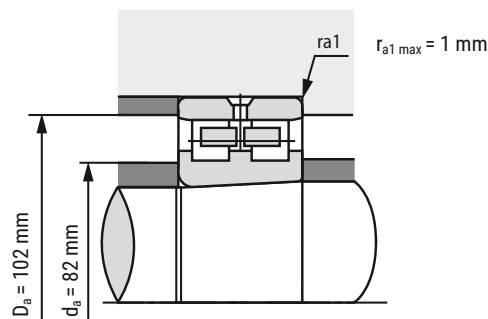
High Precision Cylindrical Roller Bearing NN3014-AS-K-M-SP



| | |
|----------|--------|
| d | 70 mm |
| D | 110 mm |
| B | 30 mm |

| | | |
|----------------|---------|--------------------|
| Da | 102 mm | Tolerance: H12 |
| da | 82 mm | Tolerance: h12 |
| r1 min | 1.1 mm | |
| ra1 max | 1 mm | |
| E | 100 mm | |
| d1 | 85.6 mm | |
| ns | 5 mm | |
| ds | 2.5 mm | |
| s | 1.3 mm | Axial displacement |

| | | |
|------------------|------------|-----------------------------------|
| m | 1.04 kg | Mass |
| Cr | 94500 N | Basic dynamic load rating, radial |
| Cor | 142700 N | Basic static load rating, radial |
| nG Grease | 7000 r/min | Limiting speed grease lubrication |
| nO Oil | 8500 r/min | Limiting speed oil lubrication |



i All indications were made carefully and verified. Kugellager-Express doesn't assume any liability for incomplete or false indications.

HERE YOU'LL FIND THE
ITEM WEBPAGE
(click or scan)

