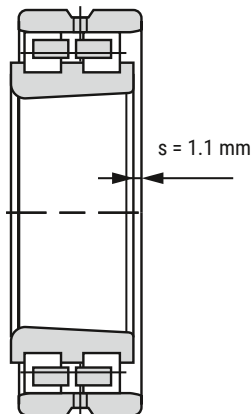
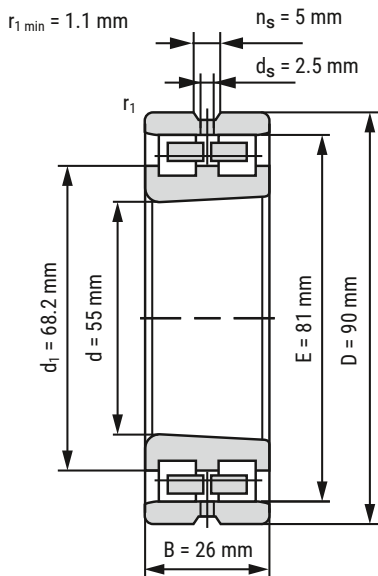


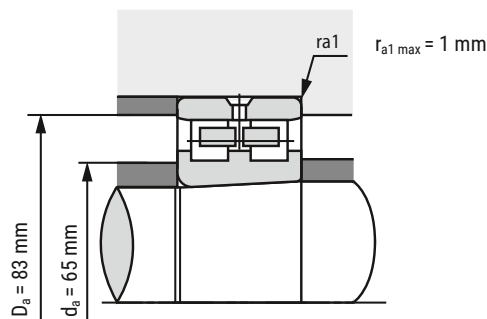
## High Precision Cylindrical Roller Bearing NN3011-AS-K-M-SP



|          |       |
|----------|-------|
| <b>d</b> | 55 mm |
| <b>D</b> | 90 mm |
| <b>B</b> | 26 mm |

|                           |         |                    |
|---------------------------|---------|--------------------|
| <b>D<sub>a</sub></b>      | 83 mm   | Tolerance: H12     |
| <b>d<sub>a</sub></b>      | 65 mm   | Tolerance: h12     |
| <b>r<sub>1 min</sub></b>  | 1.1 mm  |                    |
| <b>r<sub>a1 max</sub></b> | 1 mm    |                    |
| <b>E</b>                  | 81 mm   |                    |
| <b>d<sub>1</sub></b>      | 68.2 mm |                    |
| <b>n<sub>s</sub></b>      | 5 mm    |                    |
| <b>d<sub>s</sub></b>      | 2.5 mm  |                    |
| <b>s</b>                  | 1.1 mm  | Axial displacement |

|                             |             |                                   |
|-----------------------------|-------------|-----------------------------------|
| <b>m</b>                    | 0.63 kg     | Mass                              |
| <b>C<sub>r</sub></b>        | 70100 N     | Basic dynamic load rating, radial |
| <b>C<sub>0r</sub></b>       | 98000 N     | Basic static load rating, radial  |
| <b>n<sub>G Grease</sub></b> | 9000 r/min  | Limiting speed grease lubrication |
| <b>n<sub>O Oil</sub></b>    | 11000 r/min | Limiting speed oil lubrication    |



**i** All indications were made carefully and verified. Kugellager-Express doesn't assume any liability for incomplete or false indications.

HERE YOU'LL FIND THE  
ITEM WEBPAGE  
(click or scan)

