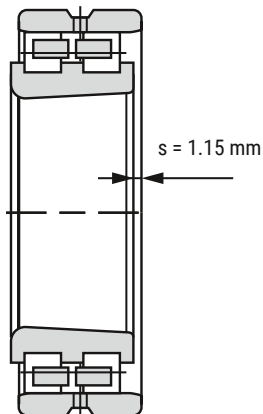
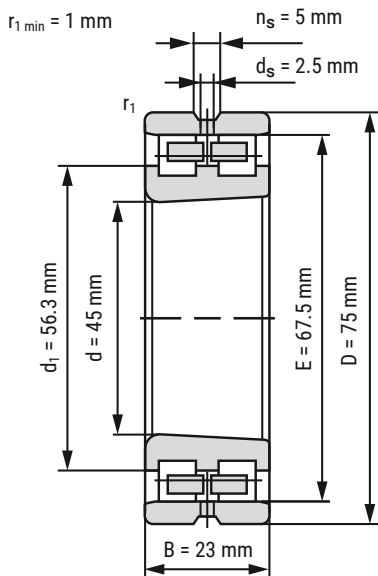


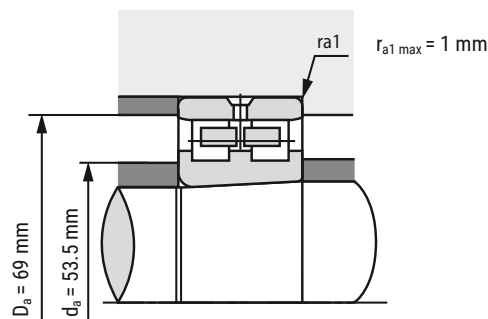
High Precision Cylindrical Roller Bearing NN3009-AS-K-M-SP



d	45 mm
D	75 mm
B	23 mm

D_a	69 mm	Tolerance: H12
d_a	53.5 mm	Tolerance: h12
r_{1 min}	1 mm	
r_{a1 max}	1 mm	
E	67.5 mm	
d₁	56.3 mm	
n_s	5 mm	
d_s	2.5 mm	
s	1.15 mm	Axial displacement

m	0.39 kg	Mass
C_r	51800 N	Basic dynamic load rating, radial
C_{0r}	68600 N	Basic static load rating, radial
n_{G Grease}	11000 r/min	Limiting speed grease lubrication
n_{O Oil}	14000 r/min	Limiting speed oil lubrication



i All indications were made carefully and verified. Kugellager-Express doesn't assume any liability for incomplete or false indications.

HERE YOU'LL FIND THE
ITEM WEBPAGE
(click or scan)

