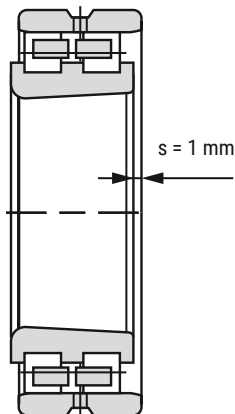
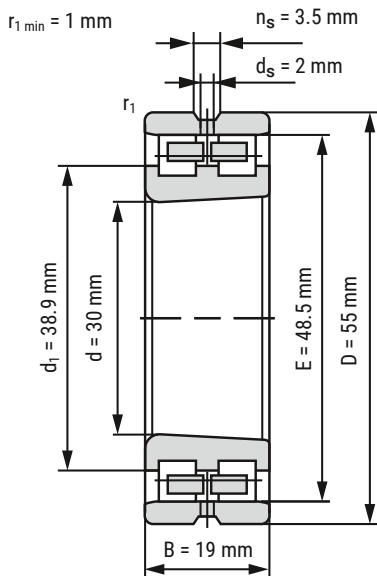


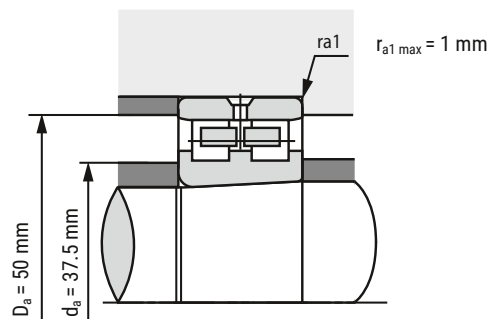
High Precision Cylindrical Roller Bearing NN3006-AS-K-M-SP



d	30 mm
D	55 mm
B	19 mm

D_a	50 mm	Tolerance: H12
d_a	37.5 mm	Tolerance: h12
r_{1 min}	1 mm	
r_{a1 max}	1 mm	
E	48.5 mm	
d₁	38.9 mm	
n_s	3.5 mm	
d_s	2 mm	
s	1 mm	Axial displacement

m	0.19 kg	Mass
C_r	30700 N	Basic dynamic load rating, radial
C_{0r}	37000 N	Basic static load rating, radial
n_{G Grease}	16000 r/min	Limiting speed grease lubrication
n_{O Oil}	19000 r/min	Limiting speed oil lubrication



i All indications were made carefully and verified. Kugellager-Express doesn't assume any liability for incomplete or false indications.

HERE YOU'LL FIND THE
ITEM WEBPAGE
(click or scan)

