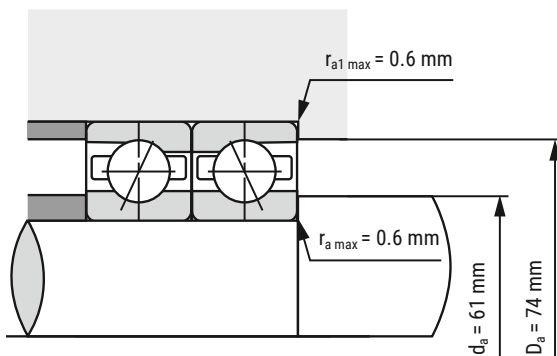
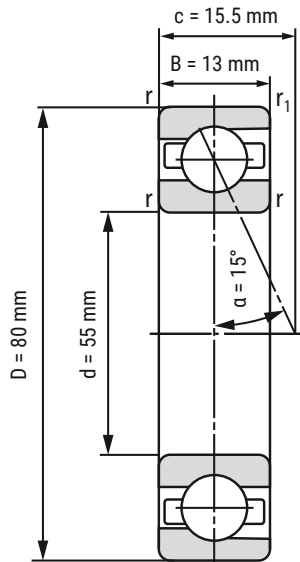


Spindle Bearing HCB71911-C-T-P4S-UL



d	55 mm
D	80 mm
B	13 mm

c	15.5 mm	
D_a	74 mm	Tolerance: H12
d_a	61 mm	Tolerance: h12
r_{min}	1 mm	
r_{1 min}	0.6 mm	
r_{a max}	0.6 mm	
r_{a1 max}	0.6 mm	
α	15°	Contact angle

m	0.15 kg	Mass
C_r	22890 N	Basic dynamic load rating, radial
C_{0r}	14370 N	Basic static load rating, radial
F_{VL}	120 N	Preload force
F_{VM}	290 N	Preload force
F_{VH}	590 N	Preload force
C_{aL}	59.8 N/μm	Axial rigidity
C_{aM}	86.4 N/μm	Axial rigidity
C_{aH}	119.2 N/μm	Axial rigidity
n_{G Grease}	24000 r/min	Limiting speed grease lubrication
n_{G Oil}	36000 r/min	Limiting speed oil lubrication

i All indications were made carefully and verified. Kugellager-Express doesn't assume any liability for incomplete or false indications.

HERE YOU'LL FIND THE
ITEM WEBPAGE
(click or scan)

