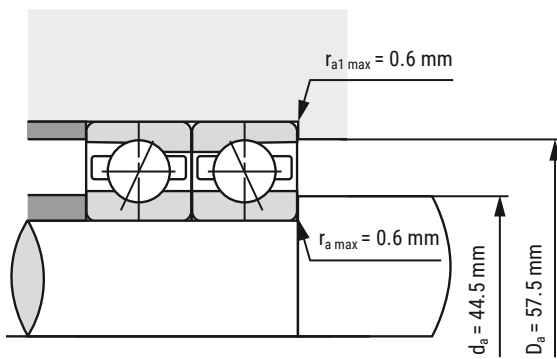
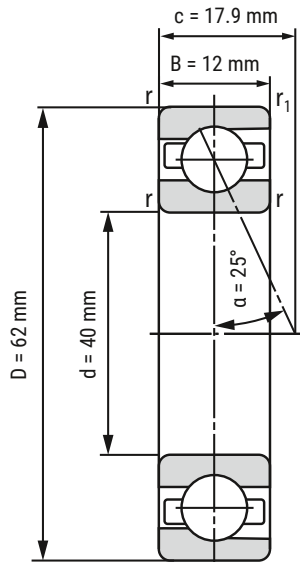


Spindle Bearing

HCB71908-E-T-P4S-UL



d	40 mm
D	62 mm
B	12 mm

c	17.9 mm	
D_a	57.5 mm	Tolerance: H12
d_a	44.5 mm	Tolerance: h12
r_{min}	0.6 mm	
$r_{1 \text{ min}}$	0.6 mm	
$r_{a \text{ max}}$	0.6 mm	
$r_{a1 \text{ max}}$	0.6 mm	
α	25°	Contact angle

m	92 kg	Mass
C_r	13680 N	Basic dynamic load rating, radial
C_{0r}	7810 N	Basic static load rating, radial
F_{VL}	120 N	Preload force
F_{VM}	290 N	Preload force
F_{VH}	590 N	Preload force
C_{aL}	109.8 N/ μm	Axial rigidity
C_{aM}	152 N/ μm	Axial rigidity
C_{aH}	199.8 N/ μm	Axial rigidity
$n_{G \text{ Grease}}$	28000 r/min	Limiting speed grease lubrication
$n_{G \text{ Oil}}$	45000 r/min	Limiting speed oil lubrication

i All indications were made carefully and verified. Kugellager-Express doesn't assume any liability for incomplete or false indications.

HERE YOU'LL FIND THE
ITEM WEBPAGE
(click or scan)

