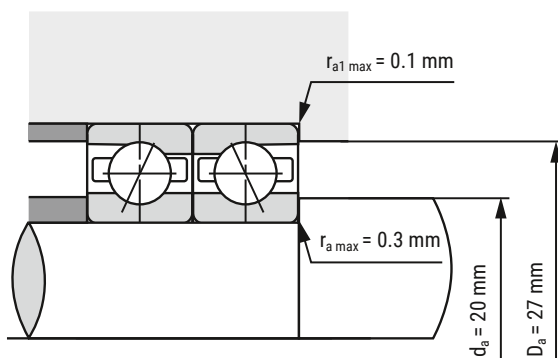
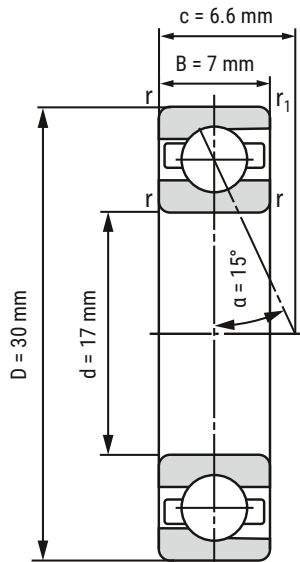


Spindle Bearing HCB71903-C-T-P4S-UL



d	17 mm
D	30 mm
B	7 mm

c	6.6 mm	
D_a	27 mm	Tolerance: H12
d_a	20 mm	Tolerance: h12
r_{min}	0.3 mm	
r_{1 min}	0.1 mm	
r_{a max}	0.3 mm	
r_{a1 max}	0.1 mm	
α	15°	Contact angle

m	15 kg	Mass
C_r	5000 N	Basic dynamic load rating, radial
C_{0r}	2060 N	Basic static load rating, radial
F_{VL}	25 N	Preload force
F_{VM}	59 N	Preload force
F_{VH}	120 N	Preload force
C_{aL}	19.8 N/μm	Axial rigidity
C_{aM}	30.2 N/μm	Axial rigidity
C_{aH}	42.1 N/μm	Axial rigidity
n_{G Grease}	70000 r/min	Limiting speed grease lubrication
n_{G Oil}	110000 r/min	Limiting speed oil lubrication

i All indications were made carefully and verified. Kugellager-Express doesn't assume any liability for incomplete or false indications.

HERE YOU'LL FIND THE
ITEM WEBPAGE
(click or scan)

