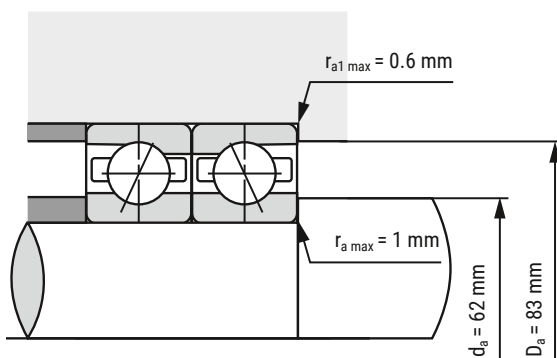
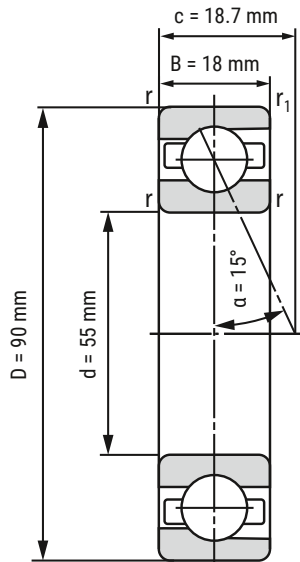


Spindle Bearing HCB7011-C-T-P4S-UL



| | |
|----------|-------|
| d | 55 mm |
| D | 90 mm |
| B | 18 mm |

| | | |
|---------------------------|---------|----------------|
| c | 18.7 mm | |
| D_a | 83 mm | Tolerance: H12 |
| d_a | 62 mm | Tolerance: h12 |
| r_{min} | 1.1 mm | |
| r_{1 min} | 0.6 mm | |
| r_{a max} | 1 mm | |
| r_{a1 max} | 0.6 mm | |
| α | 15° | Contact angle |

| | | |
|-----------------------------|-------------|-----------------------------------|
| m | 312 kg | Mass |
| C_r | 34120 N | Basic dynamic load rating, radial |
| C_{0r} | 20050 N | Basic static load rating, radial |
| F_{VL} | 200 N | Preload force |
| F_{VM} | 490 N | Preload force |
| F_{VH} | 980 N | Preload force |
| C_{aL} | 70.5 N/μm | Axial rigidity |
| C_{aM} | 103 N/μm | Axial rigidity |
| C_{aH} | 141.7 N/μm | Axial rigidity |
| n_{G Grease} | 22000 r/min | Limiting speed grease lubrication |
| n_{G Oil} | 34000 r/min | Limiting speed oil lubrication |

i All indications were made carefully and verified. Kugellager-Express doesn't assume any liability for incomplete or false indications.

HERE YOU'LL FIND THE
ITEM WEBPAGE
(click or scan)

