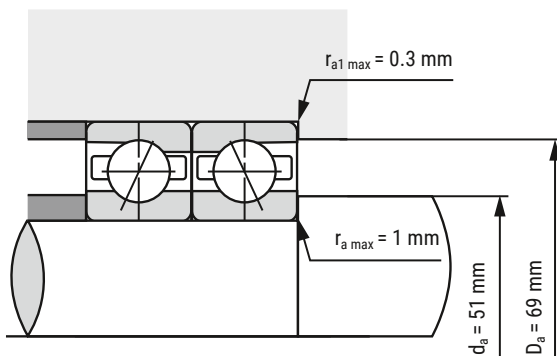
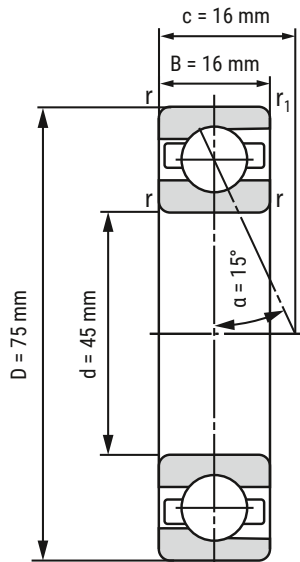


Spindle Bearing HCB7009-C-T-P4S-UL



d	45 mm
D	75 mm
B	16 mm

c	16 mm	
D_a	69 mm	Tolerance: H12
d_a	51 mm	Tolerance: h12
r_{min}	1 mm	
r_{1 min}	0.6 mm	
r_{a max}	1 mm	
r_{a1 max}	0.3 mm	
α	15°	Contact angle

m	197 kg	Mass
C_r	24400 N	Basic dynamic load rating, radial
C_{0r}	13490 N	Basic static load rating, radial
F_{VL}	150 N	Preload force
F_{VM}	340 N	Preload force
F_{VH}	690 N	Preload force
C_{aL}	58.8 N/μm	Axial rigidity
C_{aM}	83.2 N/μm	Axial rigidity
C_{aH}	115.5 N/μm	Axial rigidity
n_{G Grease}	26000 r/min	Limiting speed grease lubrication
n_{G Oil}	40000 r/min	Limiting speed oil lubrication

i All indications were made carefully and verified. Kugellager-Express doesn't assume any liability for incomplete or false indications.

HERE YOU'LL FIND THE
ITEM WEBPAGE
(click or scan)

