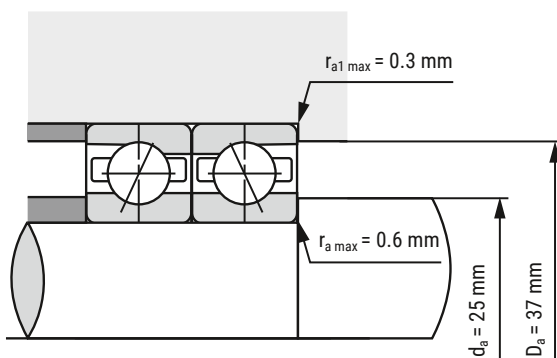
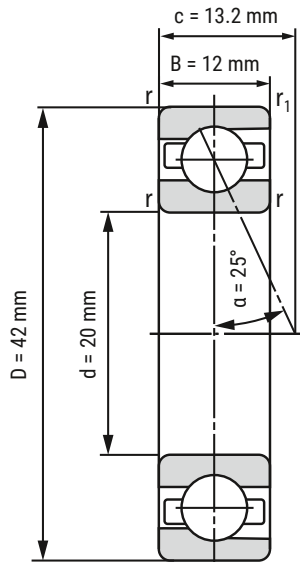


Spindle Bearing HCB7004-E-T-P4S-UL



d	20 mm
D	42 mm
B	12 mm

c	13.2 mm	
D_a	37 mm	Tolerance: H12
d_a	25 mm	Tolerance: h12
r_{min}	0.6 mm	
r_{1 min}	0.3 mm	
r_{a max}	0.6 mm	
r_{a1 max}	0.3 mm	
α	25°	Contact angle

m	61 kg	Mass
C_r	10630 N	Basic dynamic load rating, radial
C_{0r}	4390 N	Basic static load rating, radial
F_{VL}	78 N	Preload force
F_{VM}	200 N	Preload force
F_{VH}	390 N	Preload force
C_{aL}	69.7 N/μm	Axial rigidity
C_{aM}	99 N/μm	Axial rigidity
C_{aH}	128.3 N/μm	Axial rigidity
n_{G Grease}	48000 r/min	Limiting speed grease lubrication
n_{G Oil}	75000 r/min	Limiting speed oil lubrication

i All indications were made carefully and verified. Kugellager-Express doesn't assume any liability for incomplete or false indications.

HERE YOU'LL FIND THE
ITEM WEBPAGE
(click or scan)

