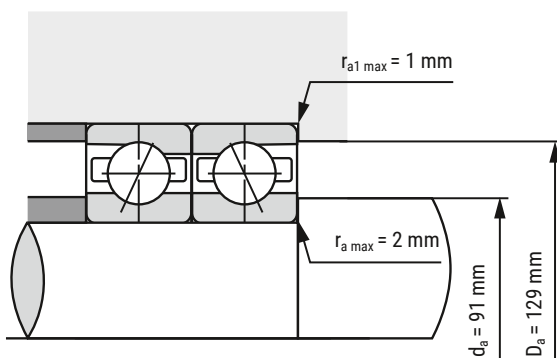
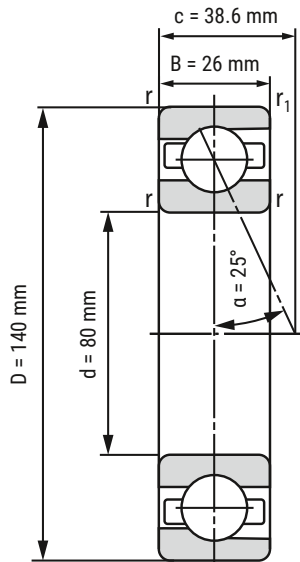


Spindle Bearing B7216-E-T-P4S-UL



d	80 mm
D	140 mm
B	26 mm

c	38.6 mm	
D_a	129 mm	Tolerance: H12
d_a	91 mm	Tolerance: h12
r_{min}	2 mm	
r_{1 min}	1 mm	
r_{a max}	2 mm	
r_{a1 max}	1 mm	
α	25°	Contact angle

m	1.43 kg	Mass
C_r	85200 N	Basic dynamic load rating, radial
C_{0r}	73400 N	Basic static load rating, radial
F_{VL}	930 N	Preload force
F_{VM}	2160 N	Preload force
F_{VH}	4310 N	Preload force
C_{aL}	246.9 N/μm	Axial rigidity
C_{aM}	337.8 N/μm	Axial rigidity
C_{aH}	442.9 N/μm	Axial rigidity
n_{G Grease}	8500 r/min	Limiting speed grease lubrication
n_{G Oil}	14000 r/min	Limiting speed oil lubrication

i All indications were made carefully and verified. Kugellager-Express doesn't assume any liability for incomplete or false indications.

HERE YOU'LL FIND THE
ITEM WEBPAGE
(click or scan)

