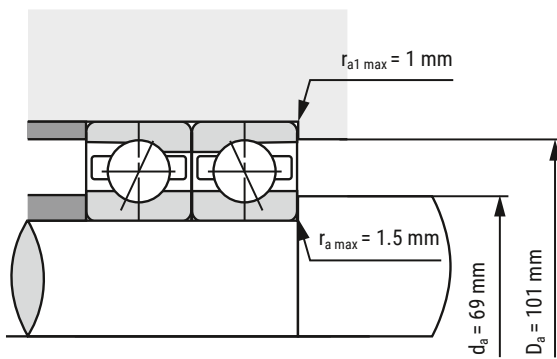
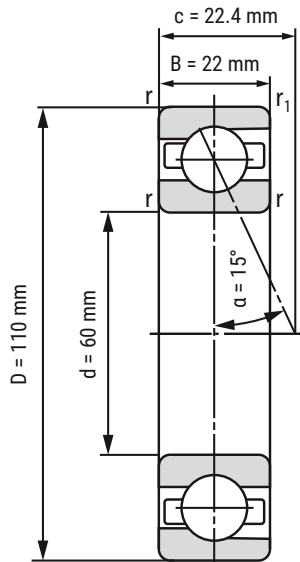


Spindle Bearing B7212-C-T-P4S-UL



d	60 mm
D	110 mm
B	22 mm

c	22.4 mm	
Da	101 mm	Tolerance: H12
da	69 mm	Tolerance: h12
r_{min}	1.5 mm	
r_{1 min}	1 mm	
ra max	1.5 mm	
ra1 max	1 mm	
α	15°	Contact angle

m	796 kg	Mass
Cr	58270 N	Basic dynamic load rating, radial
C0r	45080 N	Basic static load rating, radial
FVL	390 N	Preload force
FVM	930 N	Preload force
FVH	1860 N	Preload force
CaL	77.1 N/μm	Axial rigidity
CaM	112.7 N/μm	Axial rigidity
CaH	156.9 N/μm	Axial rigidity
nG Grease	13000 r/min	Limiting speed grease lubrication
nG Oil	20000 r/min	Limiting speed oil lubrication

i All indications were made carefully and verified. Kugellager-Express doesn't assume any liability for incomplete or false indications.

HERE YOU'LL FIND THE
ITEM WEBPAGE
(click or scan)

