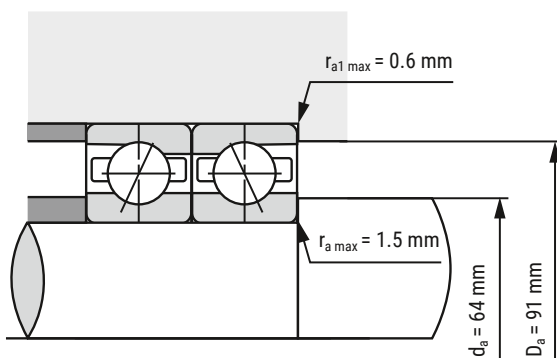
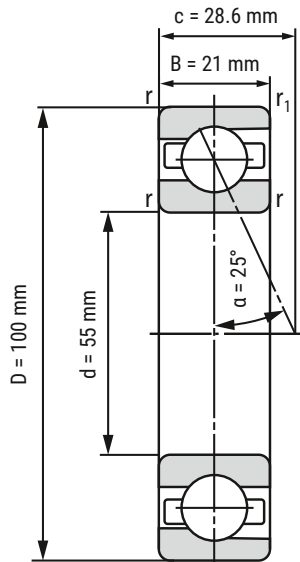


## Spindle Bearing B7211-E-T-P4S-UL



<b>d</b>	55 mm
<b>D</b>	100 mm
<b>B</b>	21 mm

<b>c</b>	28.6 mm	
<b>D<sub>a</sub></b>	91 mm	Tolerance: H12
<b>d<sub>a</sub></b>	64 mm	Tolerance: h12
<b>r<sub>min</sub></b>	1.5 mm	
<b>r<sub>1 min</sub></b>	0.6 mm	
<b>r<sub>a max</sub></b>	1.5 mm	
<b>r<sub>a1 max</sub></b>	0.6 mm	
<b>α</b>	25°	Contact angle

<b>m</b>	617 kg	Mass
<b>C<sub>r</sub></b>	50500 N	Basic dynamic load rating, radial
<b>C<sub>0r</sub></b>	38220 N	Basic static load rating, radial
<b>F<sub>VL</sub></b>	490 N	Preload force
<b>F<sub>VM</sub></b>	1180 N	Preload force
<b>F<sub>VH</sub></b>	2350 N	Preload force
<b>C<sub>aL</sub></b>	168.1 N/μm	Axial rigidity
<b>C<sub>aM</sub></b>	233 N/μm	Axial rigidity
<b>C<sub>aH</sub></b>	305.4 N/μm	Axial rigidity
<b>n<sub>G Grease</sub></b>	13000 r/min	Limiting speed grease lubrication
<b>n<sub>G Oil</sub></b>	20000 r/min	Limiting speed oil lubrication

**i** All indications were made carefully and verified. Kugellager-Express doesn't assume any liability for incomplete or false indications.

HERE YOU'LL FIND THE  
ITEM WEBPAGE  
(click or scan)

