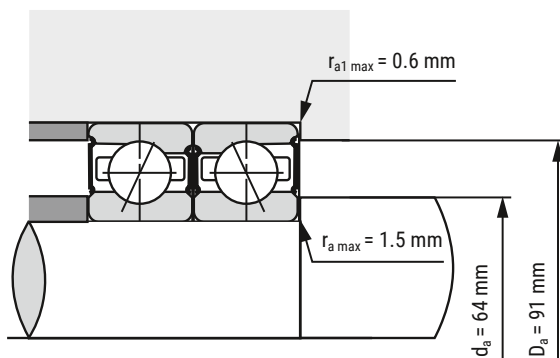
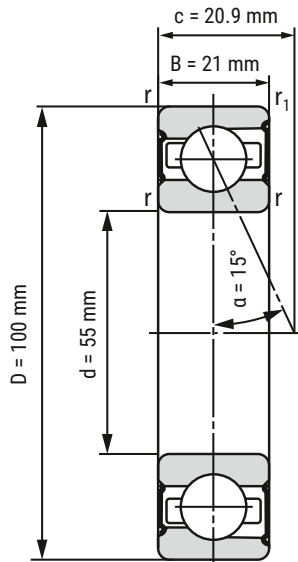


Spindle Bearing B7211-C-2RSD-T-P4S-UL



d	55 mm
D	100 mm
B	21 mm

c	20.9 mm	
D_a	91 mm	Tolerance: H12
d_a	64 mm	Tolerance: h12
r_{min}	1.5 mm	
r_{1 min}	0.6 mm	
r_{a max}	1.5 mm	
r_{a1 max}	0.6 mm	
α	15°	Contact angle

m	617 kg	Mass
C_r	52930 N	Basic dynamic load rating, radial
C_{0r}	39910 N	Basic static load rating, radial
F_{VL}	290 N	Preload force
F_{VM}	780 N	Preload force
F_{VH}	1570 N	Preload force
C_{aL}	67.6 N/μm	Axial rigidity
C_{aM}	103.5 N/μm	Axial rigidity
C_{aH}	144.2 N/μm	Axial rigidity
n_{G Grease}	14000 r/min	Limiting speed grease lubrication
n_{G Oil}	k.A.	Limiting speed oil lubrication

i All indications were made carefully and verified. Kugellager-Express doesn't assume any liability for incomplete or false indications.

HERE YOU'LL FIND THE
ITEM WEBPAGE
(click or scan)

