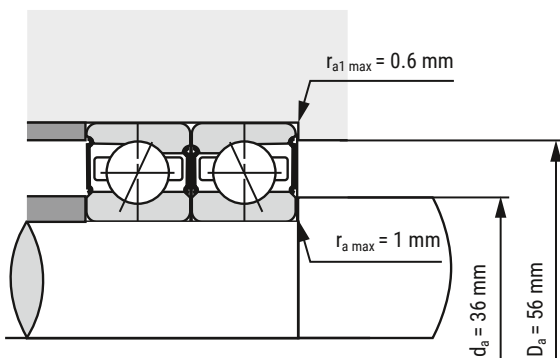
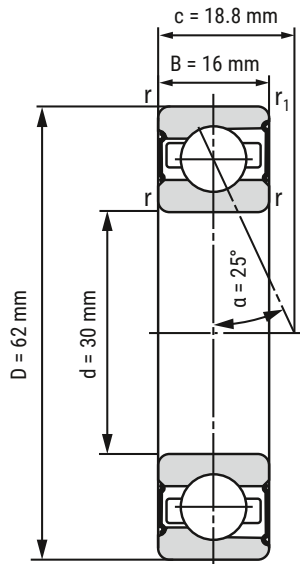


Spindle Bearing

B7206-E-2RSD-T-P4S-UL



d	30 mm
D	62 mm
B	16 mm

c	18.8 mm	
D_a	56 mm	Tolerance: H12
d_a	36 mm	Tolerance: h12
r_{min}	1 mm	
r_{1 min}	0.6 mm	
r_{a max}	1 mm	
r_{a1 max}	0.6 mm	
α	25°	Contact angle

m	202 kg	Mass
C_r	22040 N	Basic dynamic load rating, radial
C_{0r}	14100 N	Basic static load rating, radial
F_{VL}	200 N	Preload force
F_{VM}	440 N	Preload force
F_{VH}	880 N	Preload force
C_{aL}	98.4 N/μm	Axial rigidity
C_{aM}	132 N/μm	Axial rigidity
C_{aH}	173.2 N/μm	Axial rigidity
n_{G Grease}	20000 r/min	Limiting speed grease lubrication
n_{G Oil}	k.A.	Limiting speed oil lubrication

i All indications were made carefully and verified. Kugellager-Express doesn't assume any liability for incomplete or false indications.

HERE YOU'LL FIND THE
ITEM WEBPAGE
(click or scan)

