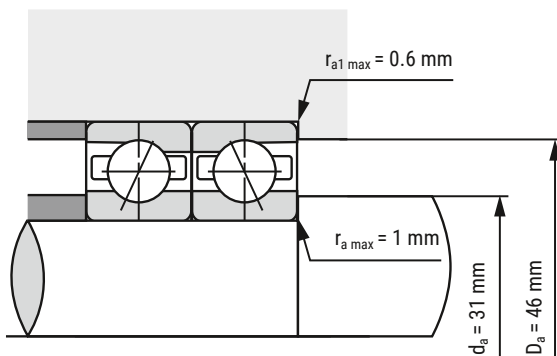
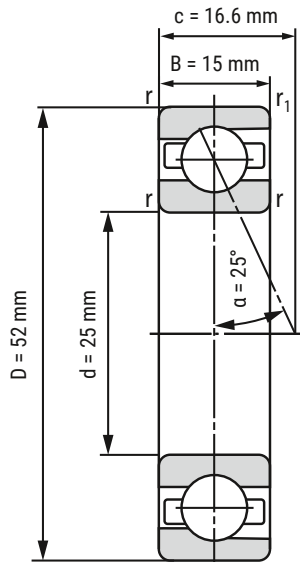


Spindle Bearing B7205-E-T-P4S-UL



d	25 mm
D	52 mm
B	15 mm

c	16.6 mm	
D_a	46 mm	Tolerance: H12
d_a	31 mm	Tolerance: h12
r_{min}	1 mm	
r_{1 min}	0.6 mm	
r_{a max}	1 mm	
r_{a1 max}	0.6 mm	
α	25°	Contact angle

m	126 kg	Mass
C_r	15870 N	Basic dynamic load rating, radial
C_{0r}	9800 N	Basic static load rating, radial
F_{VL}	150 N	Preload force
F_{VM}	340 N	Preload force
F_{VH}	690 N	Preload force
C_{aL}	84.4 N/μm	Axial rigidity
C_{aM}	114.6 N/μm	Axial rigidity
C_{aH}	151.7 N/μm	Axial rigidity
n_{G Grease}	26000 r/min	Limiting speed grease lubrication
n_{G Oil}	40000 r/min	Limiting speed oil lubrication

i All indications were made carefully and verified. Kugellager-Express doesn't assume any liability for incomplete or false indications.

HERE YOU'LL FIND THE
ITEM WEBPAGE
(click or scan)

