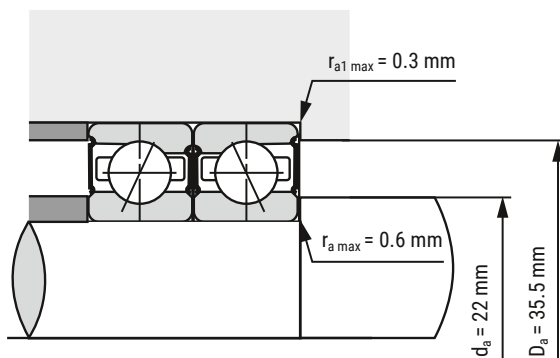
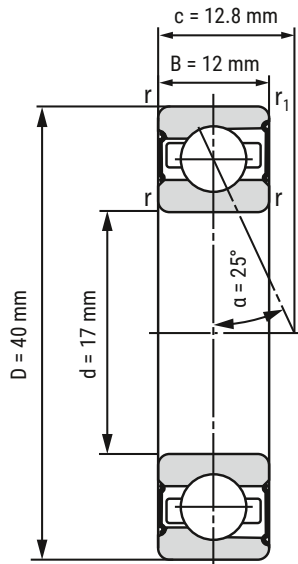


Spindle Bearing

B7203-E-2RSD-T-P4S-UL



d	17 mm
D	40 mm
B	12 mm

c	12.8 mm	
D_a	35.5 mm	Tolerance: H12
d_a	22 mm	Tolerance: h12
r_{min}	0.6 mm	
r_{1 min}	0.3 mm	
r_{a max}	0.6 mm	
r_{a1 max}	0.3 mm	
α	25°	Contact angle

m	63 kg	Mass
C_r	10460 N	Basic dynamic load rating, radial
C_{0r}	5650 N	Basic static load rating, radial
F_{VL}	78 N	Preload force
F_{VM}	200 N	Preload force
F_{VH}	390 N	Preload force
C_{aL}	56.6 N/μm	Axial rigidity
C_{aM}	80.4 N/μm	Axial rigidity
C_{aH}	104.7 N/μm	Axial rigidity
n_{G Grease}	38000 r/min	Limiting speed grease lubrication
n_{G Oil}	k.A.	Limiting speed oil lubrication

i All indications were made carefully and verified. Kugellager-Express doesn't assume any liability for incomplete or false indications.

HERE YOU'LL FIND THE
ITEM WEBPAGE
(click or scan)

