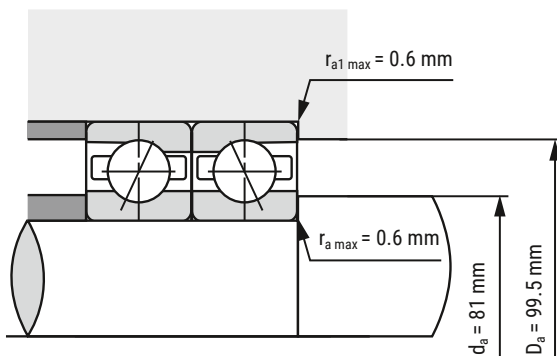
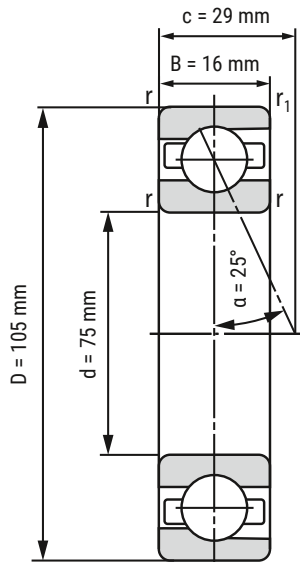


## Spindle Bearing B71915-E-T-P4S-UL



<b>d</b>	75 mm
<b>D</b>	105 mm
<b>B</b>	16 mm

<b>c</b>	29 mm	
<b>D<sub>a</sub></b>	99.5 mm	Tolerance: H12
<b>d<sub>a</sub></b>	81 mm	Tolerance: h12
<b>r<sub>min</sub></b>	1 mm	
<b>r<sub>1 min</sub></b>	0.6 mm	
<b>r<sub>a max</sub></b>	0.6 mm	
<b>r<sub>a1 max</sub></b>	0.6 mm	
<b>α</b>	25°	Contact angle

<b>m</b>	359 kg	Mass
<b>C<sub>r</sub></b>	31210 N	Basic dynamic load rating, radial
<b>C<sub>0r</sub></b>	31090 N	Basic static load rating, radial
<b>F<sub>VL</sub></b>	290 N	Preload force
<b>F<sub>VM</sub></b>	740 N	Preload force
<b>F<sub>VH</sub></b>	1470 N	Preload force
<b>C<sub>aL</sub></b>	170.7 N/μm	Axial rigidity
<b>C<sub>aM</sub></b>	241.1 N/μm	Axial rigidity
<b>C<sub>aH</sub></b>	314.6 N/μm	Axial rigidity
<b>n<sub>G Grease</sub></b>	10000 r/min	Limiting speed grease lubrication
<b>n<sub>G Oil</sub></b>	17000 r/min	Limiting speed oil lubrication

**i** All indications were made carefully and verified. Kugellager-Express doesn't assume any liability for incomplete or false indications.

HERE YOU'LL FIND THE  
ITEM WEBPAGE  
(click or scan)

