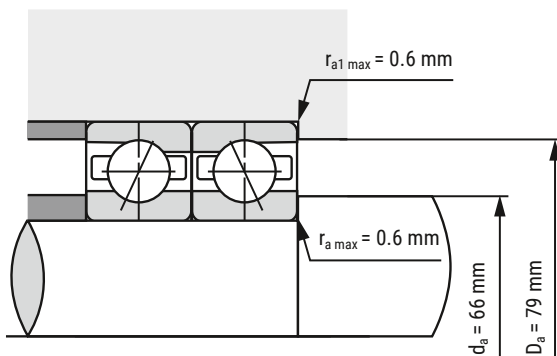
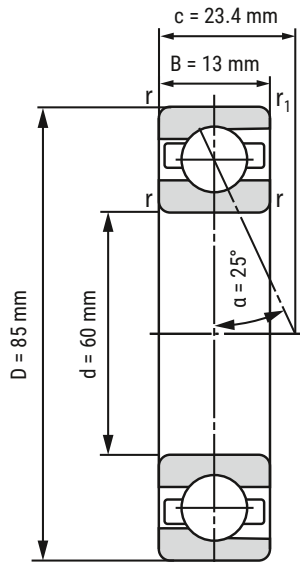


Spindle Bearing B71912-E-T-P4S-UL



d	60 mm
D	85 mm
B	13 mm

c	23.4 mm	
D_a	79 mm	Tolerance: H12
d_a	66 mm	Tolerance: h12
r_{min}	1 mm	
r_{1 min}	0.6 mm	
r_{a max}	0.6 mm	
r_{a1 max}	0.6 mm	
α	25°	Contact angle

m	188 kg	Mass
C_r	22640 N	Basic dynamic load rating, radial
C_{0r}	21550 N	Basic static load rating, radial
F_{VL}	200 N	Preload force
F_{VM}	440 N	Preload force
F_{VH}	880 N	Preload force
C_{aL}	142 N/μm	Axial rigidity
C_{aM}	189.5 N/μm	Axial rigidity
C_{aH}	247.2 N/μm	Axial rigidity
n_{G Grease}	14000 r/min	Limiting speed grease lubrication
n_{G Oil}	22000 r/min	Limiting speed oil lubrication

i All indications were made carefully and verified. Kugellager-Express doesn't assume any liability for incomplete or false indications.

HERE YOU'LL FIND THE
ITEM WEBPAGE
(click or scan)

