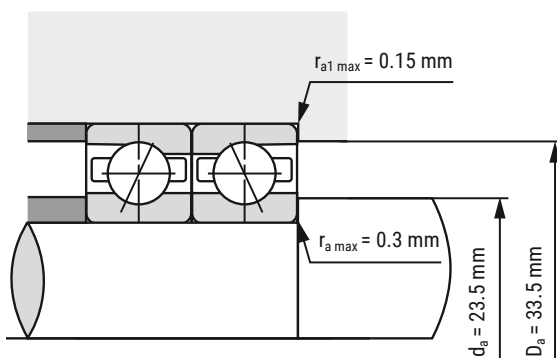
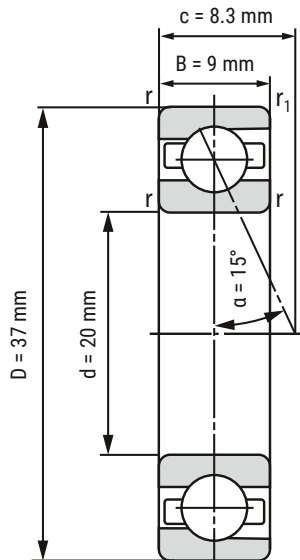


Spindle Bearing B71904-C-T-P4S-UL



d	20 mm
D	37 mm
B	9 mm

c	8.3 mm	
D_a	33.5 mm	Tolerance: H12
d_a	23.5 mm	Tolerance: h12
r_{min}	0.3 mm	
r_{1 min}	0.15 mm	
r_{a max}	0.3 mm	
r_{a1 max}	0.15 mm	
α	15°	Contact angle

m	37 kg	Mass
C_r	7300 N	Basic dynamic load rating, radial
C_{0r}	4560 N	Basic static load rating, radial
F_{VL}	39 N	Preload force
F_{VM}	78 N	Preload force
F_{VH}	150 N	Preload force
C_{aL}	24.4 N/μm	Axial rigidity
C_{aM}	32.9 N/μm	Axial rigidity
C_{aH}	44.7 N/μm	Axial rigidity
n_{G Grease}	43000 r/min	Limiting speed grease lubrication
n_{G Oil}	63000 r/min	Limiting speed oil lubrication

i All indications were made carefully and verified. Kugellager-Express doesn't assume any liability for incomplete or false indications.

HERE YOU'LL FIND THE
ITEM WEBPAGE
(click or scan)

