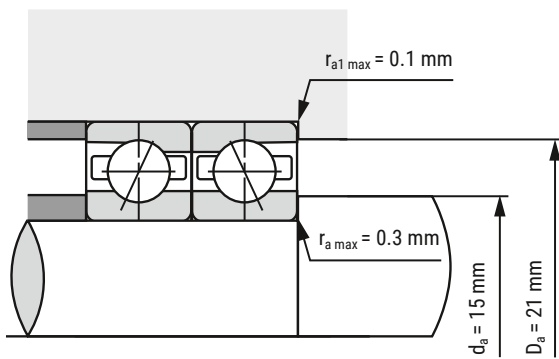
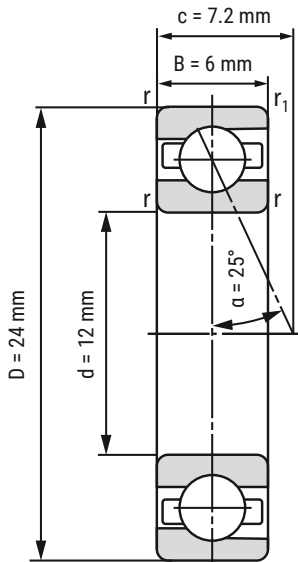


Spindle Bearing B71901-E-T-P4S-UL



d	12 mm
D	24 mm
B	6 mm

c	7.2 mm	
D_a	21 mm	Tolerance: H12
d_a	15 mm	Tolerance: h12
r_{min}	0.3 mm	
r_{1 min}	0.1 mm	
r_{a max}	0.3 mm	
r_{a1 max}	0.1 mm	
α	25°	Contact angle

m	11 kg	Mass
C_r	3200 N	Basic dynamic load rating, radial
C_{0r}	1770 N	Basic static load rating, radial
F_{VL}	29 N	Preload force
F_{VM}	59 N	Preload force
F_{VH}	120 N	Preload force
C_{aL}	38.1 N/μm	Axial rigidity
C_{aM}	49.7 N/μm	Axial rigidity
C_{aH}	65.9 N/μm	Axial rigidity
n_{G Grease}	56000 r/min	Limiting speed grease lubrication
n_{G Oil}	85000 r/min	Limiting speed oil lubrication

i All indications were made carefully and verified. Kugellager-Express doesn't assume any liability for incomplete or false indications.

HERE YOU'LL FIND THE
ITEM WEBPAGE
(click or scan)

