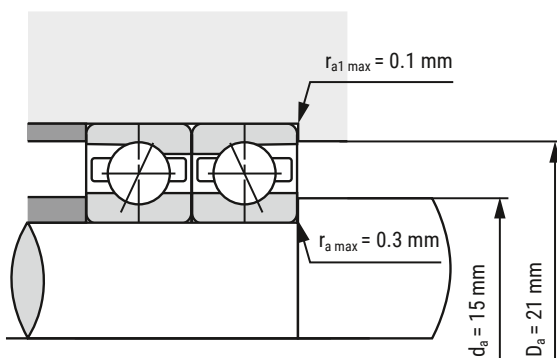
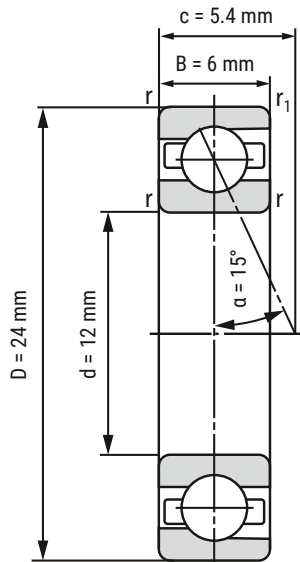


## Spindle Bearing B71901-C-T-P4S-UL



<b>d</b>	12 mm
<b>D</b>	24 mm
<b>B</b>	6 mm

<b>c</b>	5.4 mm	
<b>D<sub>a</sub></b>	21 mm	Tolerance: H12
<b>d<sub>a</sub></b>	15 mm	Tolerance: h12
<b>r<sub>min</sub></b>	0.3 mm	
<b>r<sub>1 min</sub></b>	0.1 mm	
<b>r<sub>a max</sub></b>	0.3 mm	
<b>r<sub>a1 max</sub></b>	0.1 mm	
<b>α</b>	15°	Contact angle

<b>m</b>	11 kg	Mass
<b>C<sub>r</sub></b>	3360 N	Basic dynamic load rating, radial
<b>C<sub>0r</sub></b>	1860 N	Basic static load rating, radial
<b>F<sub>VL</sub></b>	15 N	Preload force
<b>F<sub>VM</sub></b>	39 N	Preload force
<b>F<sub>VH</sub></b>	78 N	Preload force
<b>C<sub>aL</sub></b>	14.7 N/μm	Axial rigidity
<b>C<sub>aM</sub></b>	22.3 N/μm	Axial rigidity
<b>C<sub>aH</sub></b>	31 N/μm	Axial rigidity
<b>n<sub>G Grease</sub></b>	60000 r/min	Limiting speed grease lubrication
<b>n<sub>G Oil</sub></b>	90000 r/min	Limiting speed oil lubrication

**i** All indications were made carefully and verified. Kugellager-Express doesn't assume any liability for incomplete or false indications.

HERE YOU'LL FIND THE  
ITEM WEBPAGE  
(click or scan)

