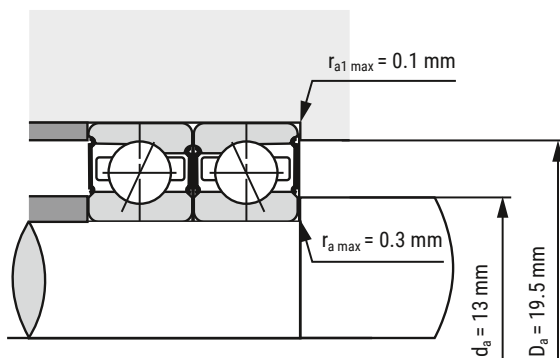
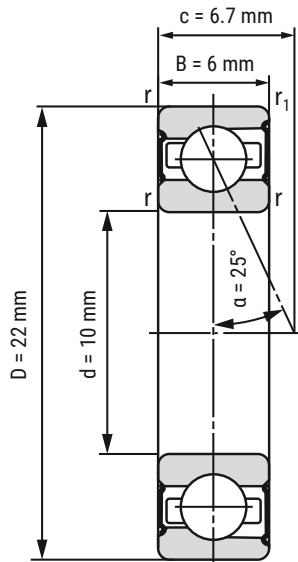


Spindle Bearing

B71900-E-2RSD-T-P4S-UL



d	10 mm
D	22 mm
B	6 mm

c	6.7 mm	
D_a	19.5 mm	Tolerance: H12
d_a	13 mm	Tolerance: h12
r_{min}	0.3 mm	
r_{1 min}	0.1 mm	
r_{a max}	0.3 mm	
r_{a1 max}	0.1 mm	
α	25°	Contact angle

m	0.01 kg	Mass
C_r	2380 N	Basic dynamic load rating, radial
C_{0r}	1260 N	Basic static load rating, radial
F_{VL}	11 N	Preload force
F_{VM}	32 N	Preload force
F_{VH}	64 N	Preload force
C_{aL}	21.3 N/μm	Axial rigidity
C_{aM}	31.2 N/μm	Axial rigidity
C_{aH}	42.7 N/μm	Axial rigidity
n_{G Grease}	63000 r/min	Limiting speed grease lubrication
n_{G Oil}	k.A.	Limiting speed oil lubrication

i All indications were made carefully and verified. Kugellager-Express doesn't assume any liability for incomplete or false indications.

HERE YOU'LL FIND THE
ITEM WEBPAGE
(click or scan)

