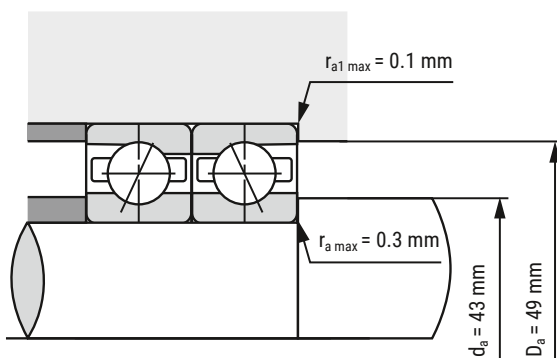
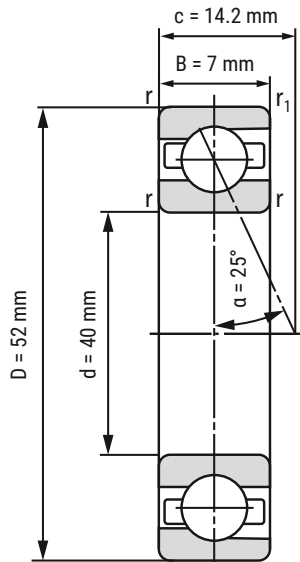


Spindle Bearing B71808-E-T-P4S-UL



d	40 mm
D	52 mm
B	7 mm

c	14.2 mm	
D_a	49 mm	Tolerance: H12
d_a	43 mm	Tolerance: h12
r_{min}	0.3 mm	
r_{1 min}	0.1 mm	
r_{a max}	0.3 mm	
r_{a1 max}	0.1 mm	
α	25°	Contact angle

m	0.03 kg	Mass
C_r	4550 N	Basic dynamic load rating, radial
C_{0r}	4230 N	Basic static load rating, radial
F_{VL}	17 N	Preload force
F_{VM}	75 N	Preload force
F_{VH}	199 N	Preload force
C_{aL}	47 N/μm	Axial rigidity
C_{aM}	89.3 N/μm	Axial rigidity
C_{aH}	130.4 N/μm	Axial rigidity
n_{G Grease}	22000 r/min	Limiting speed grease lubrication
n_{G Oil}	36000 r/min	Limiting speed oil lubrication

i All indications were made carefully and verified. Kugellager-Express doesn't assume any liability for incomplete or false indications.

HERE YOU'LL FIND THE
ITEM WEBPAGE
(click or scan)

