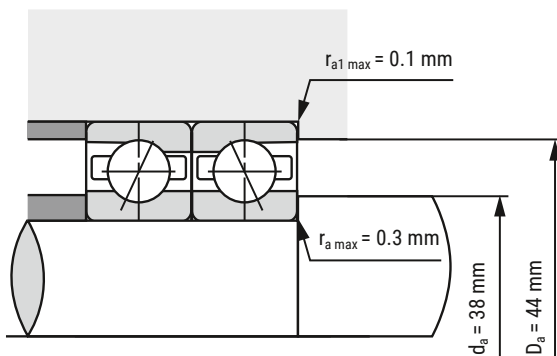
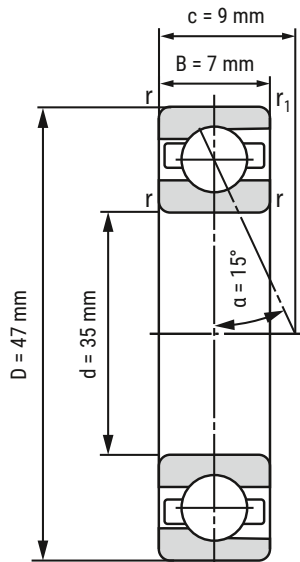


Spindle Bearing B71807-C-T-P4S-UL



d	35 mm
D	47 mm
B	7 mm

c	9 mm	
D_a	44 mm	Tolerance: H12
d_a	38 mm	Tolerance: h12
r_{min}	0.3 mm	
r_{1 min}	0.1 mm	
r_{a max}	0.3 mm	
r_{a1 max}	0.1 mm	
α	15°	Contact angle

m	0.03 kg	Mass
C_r	4630 N	Basic dynamic load rating, radial
C_{0r}	4100 N	Basic static load rating, radial
F_{VL}	17 N	Preload force
F_{VM}	58 N	Preload force
F_{VH}	135 N	Preload force
C_{aL}	22.1 N/μm	Axial rigidity
C_{aM}	38.9 N/μm	Axial rigidity
C_{aH}	57.8 N/μm	Axial rigidity
n_{G Grease}	26000 r/min	Limiting speed grease lubrication
n_{G Oil}	40000 r/min	Limiting speed oil lubrication

i All indications were made carefully and verified. Kugellager-Express doesn't assume any liability for incomplete or false indications.

HERE YOU'LL FIND THE
ITEM WEBPAGE
(click or scan)

