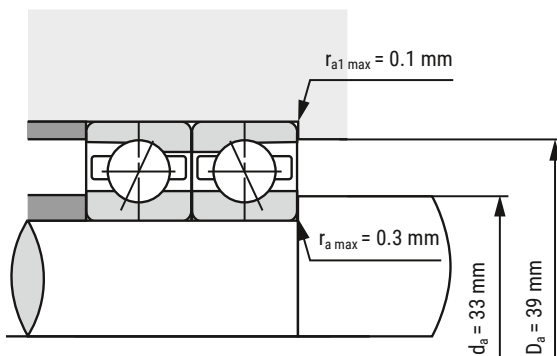
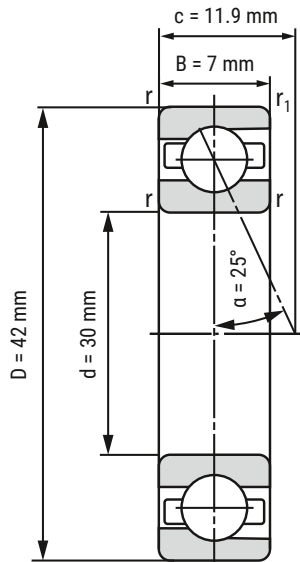


Spindle Bearing B71806-E-T-P4S-UL



| | |
|----------|-------|
| d | 30 mm |
| D | 42 mm |
| B | 7 mm |

| | | |
|---------------------------|---------|----------------|
| c | 11.9 mm | |
| D_a | 39 mm | Tolerance: H12 |
| d_a | 33 mm | Tolerance: h12 |
| r_{min} | 0.3 mm | |
| r_{1 min} | 0.1 mm | |
| r_{a max} | 0.3 mm | |
| r_{a1 max} | 0.1 mm | |
| α | 25° | Contact angle |

| | | |
|-----------------------------|-------------|-----------------------------------|
| m | 0.03 kg | Mass |
| C_r | 4150 N | Basic dynamic load rating, radial |
| C_{0r} | 3420 N | Basic static load rating, radial |
| F_{VL} | 18 N | Preload force |
| F_{VM} | 73 N | Preload force |
| F_{VH} | 189 N | Preload force |
| C_{aL} | 41.3 N/μm | Axial rigidity |
| C_{aM} | 76.4 N/μm | Axial rigidity |
| C_{aH} | 111.2 N/μm | Axial rigidity |
| n_{G Grease} | 28000 r/min | Limiting speed grease lubrication |
| n_{G Oil} | 43000 r/min | Limiting speed oil lubrication |

i All indications were made carefully and verified. Kugellager-Express doesn't assume any liability for incomplete or false indications.

HERE YOU'LL FIND THE
ITEM WEBPAGE
(click or scan)

