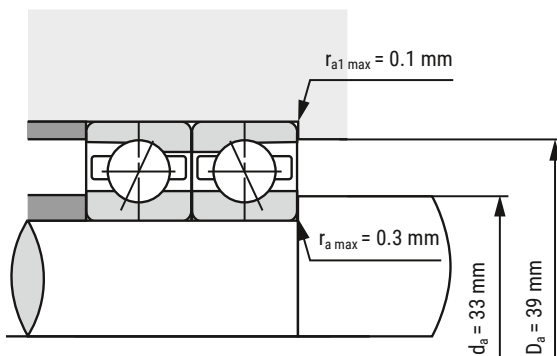
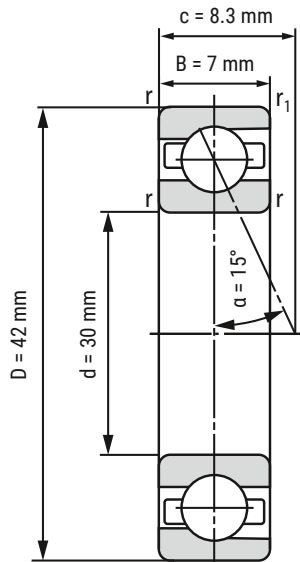


Spindle Bearing B71806-C-T-P4S-UL



d	30 mm
D	42 mm
B	7 mm

c	8.3 mm	
D_a	39 mm	Tolerance: H12
d_a	33 mm	Tolerance: h12
r_{min}	0.3 mm	
r_{1 min}	0.1 mm	
r_{a max}	0.3 mm	
r_{a1 max}	0.1 mm	
α	15°	Contact angle

m	0.03 kg	Mass
C_r	4400 N	Basic dynamic load rating, radial
C_{0r}	3670 N	Basic static load rating, radial
F_{VL}	16 N	Preload force
F_{VM}	56 N	Preload force
F_{VH}	129 N	Preload force
C_{aL}	20.3 N/μm	Axial rigidity
C_{aM}	35.8 N/μm	Axial rigidity
C_{aH}	53.1 N/μm	Axial rigidity
n_{G Grease}	30000 r/min	Limiting speed grease lubrication
n_{G Oil}	45000 r/min	Limiting speed oil lubrication

i All indications were made carefully and verified. Kugellager-Express doesn't assume any liability for incomplete or false indications.

HERE YOU'LL FIND THE
ITEM WEBPAGE
(click or scan)

