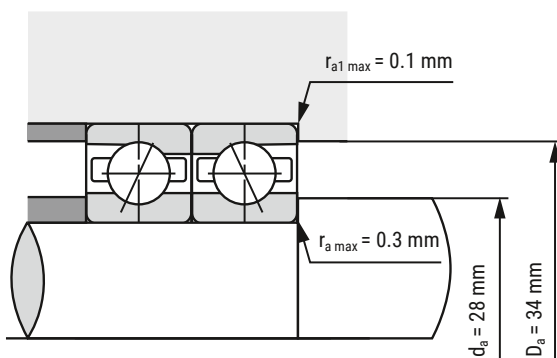
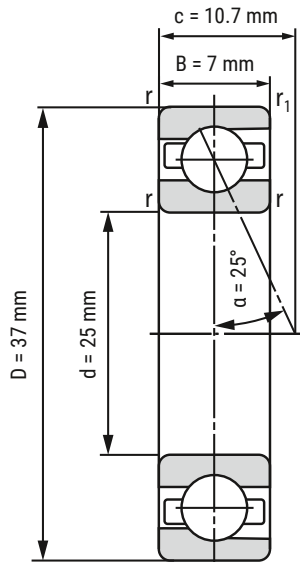


Spindle Bearing B71805-E-T-P4S-UL



d	25 mm
D	37 mm
B	7 mm

c	10.7 mm	
D_a	34 mm	Tolerance: H12
d_a	28 mm	Tolerance: h12
r_{min}	0.3 mm	
r_{1 min}	0.1 mm	
r_{a max}	0.3 mm	
r_{a1 max}	0.1 mm	
α	25°	Contact angle

m	0.02 kg	Mass
C_r	3910 N	Basic dynamic load rating, radial
C_{0r}	3010 N	Basic static load rating, radial
F_{VL}	18 N	Preload force
F_{VM}	72 N	Preload force
F_{VH}	181 N	Preload force
C_{aL}	37.8 N/μm	Axial rigidity
C_{aM}	69.7 N/μm	Axial rigidity
C_{aH}	100.5 N/μm	Axial rigidity
n_{G Grease}	32000 r/min	Limiting speed grease lubrication
n_{G Oil}	48000 r/min	Limiting speed oil lubrication

i All indications were made carefully and verified. Kugellager-Express doesn't assume any liability for incomplete or false indications.

HERE YOU'LL FIND THE
ITEM WEBPAGE
(click or scan)

