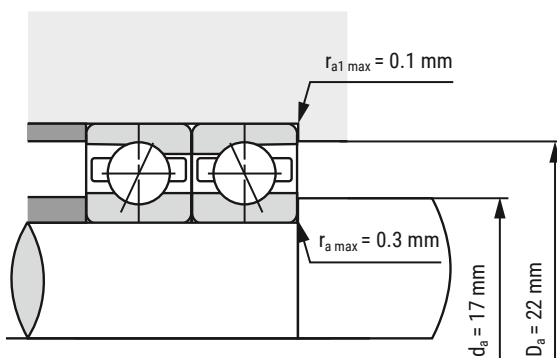
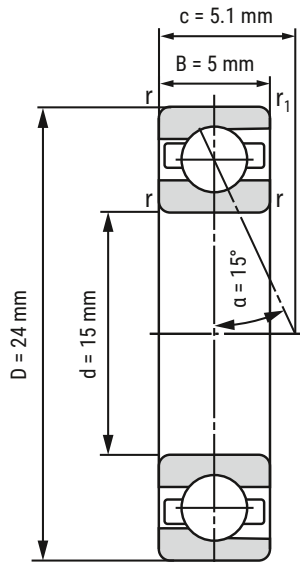


Spindle Bearing B71802-C-T-P4S-UL



d	15 mm
D	24 mm
B	5 mm

c	5.1 mm	
D_a	22 mm	Tolerance: H12
d_a	17 mm	Tolerance: h12
r_{min}	0.3 mm	
r_{1 min}	0.1 mm	
r_{a max}	0.3 mm	
r_{a1 max}	0.1 mm	
α	15°	Contact angle

m	0.01 kg	Mass
C_r	2290 N	Basic dynamic load rating, radial
C_{0r}	1480 N	Basic static load rating, radial
F_{VL}	8 N	Preload force
F_{VM}	27 N	Preload force
F_{VH}	63 N	Preload force
C_{aL}	14.3 N/μm	Axial rigidity
C_{aM}	21 N/μm	Axial rigidity
C_{aH}	32 N/μm	Axial rigidity
n_{G Grease}	56000 r/min	Limiting speed grease lubrication
n_{G Oil}	85000 r/min	Limiting speed oil lubrication

i All indications were made carefully and verified. Kugellager-Express doesn't assume any liability for incomplete or false indications.

HERE YOU'LL FIND THE
ITEM WEBPAGE
(click or scan)

