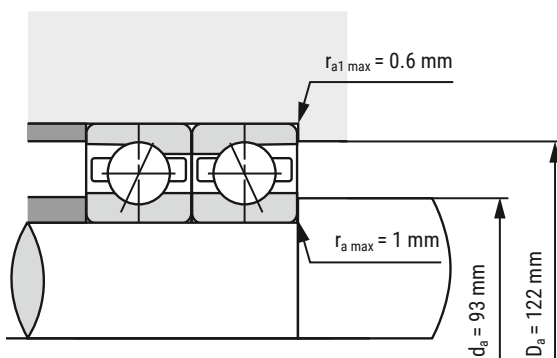
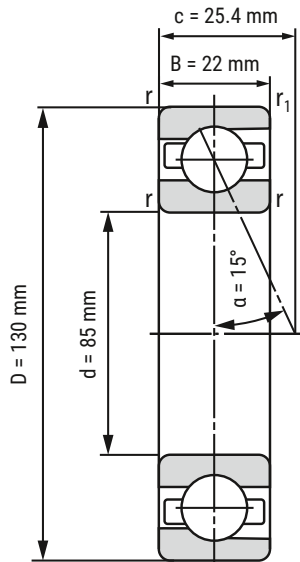


Spindle Bearing B7017-C-T-P4S-UL



d	85 mm
D	130 mm
B	22 mm

c	25.4 mm	
D_a	122 mm	Tolerance: H12
d_a	93 mm	Tolerance: h12
r_{min}	1.1 mm	
r_{1 min}	0.6 mm	
r_{a max}	1 mm	
r_{a1 max}	0.6 mm	
α	15°	Contact angle

m	878 kg	Mass
C_r	60180 N	Basic dynamic load rating, radial
C_{0r}	58590 N	Basic static load rating, radial
F_{VL}	390 N	Preload force
F_{VM}	980 N	Preload force
F_{VH}	1960 N	Preload force
C_{aL}	96 N/μm	Axial rigidity
C_{aM}	142.5 N/μm	Axial rigidity
C_{aH}	197.5 N/μm	Axial rigidity
n_{G Grease}	9500 r/min	Limiting speed grease lubrication
n_{G Oil}	16000 r/min	Limiting speed oil lubrication

i All indications were made carefully and verified. Kugellager-Express doesn't assume any liability for incomplete or false indications.

HERE YOU'LL FIND THE
ITEM WEBPAGE
(click or scan)

