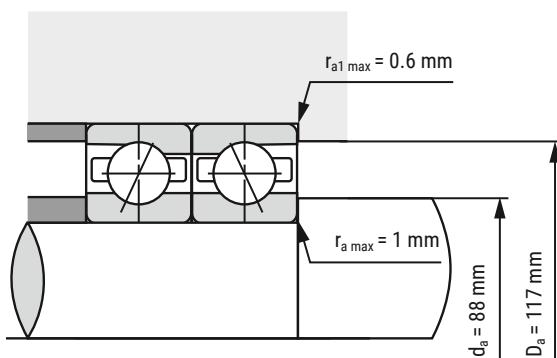
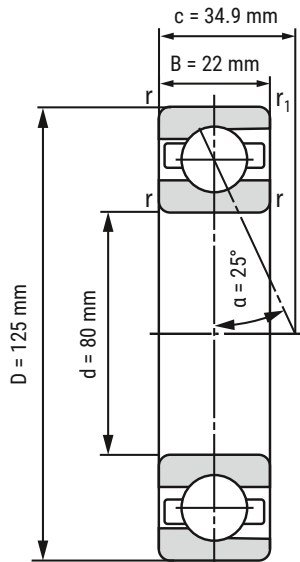


## Spindle Bearing B7016-E-T-P4S-UL



<b>d</b>	80 mm
<b>D</b>	125 mm
<b>B</b>	22 mm

<b>c</b>	34.9 mm	
<b>D<sub>a</sub></b>	117 mm	Tolerance: H12
<b>d<sub>a</sub></b>	88 mm	Tolerance: h12
<b>r<sub>min</sub></b>	1.1 mm	
<b>r<sub>1 min</sub></b>	0.6 mm	
<b>r<sub>a max</sub></b>	1 mm	
<b>r<sub>a1 max</sub></b>	0.6 mm	
<b>α</b>	25°	Contact angle

<b>m</b>	836 kg	Mass
<b>C<sub>r</sub></b>	55570 N	Basic dynamic load rating, radial
<b>C<sub>0r</sub></b>	52520 N	Basic static load rating, radial
<b>F<sub>VL</sub></b>	640 N	Preload force
<b>F<sub>VM</sub></b>	1470 N	Preload force
<b>F<sub>VH</sub></b>	2940 N	Preload force
<b>C<sub>aL</sub></b>	228.9 N/μm	Axial rigidity
<b>C<sub>aM</sub></b>	311.8 N/μm	Axial rigidity
<b>C<sub>aH</sub></b>	409.2 N/μm	Axial rigidity
<b>n<sub>G Grease</sub></b>	9000 r/min	Limiting speed grease lubrication
<b>n<sub>G Oil</sub></b>	15000 r/min	Limiting speed oil lubrication

**i** All indications were made carefully and verified. Kugellager-Express doesn't assume any liability for incomplete or false indications.

HERE YOU'LL FIND THE  
ITEM WEBPAGE  
(click or scan)

