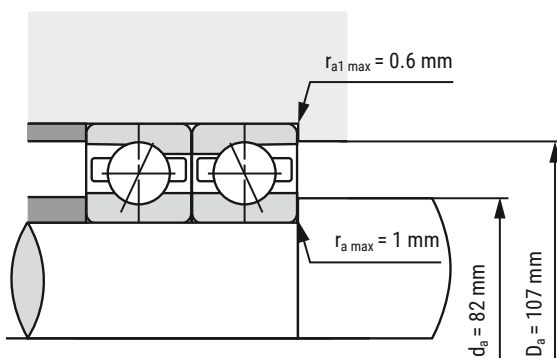
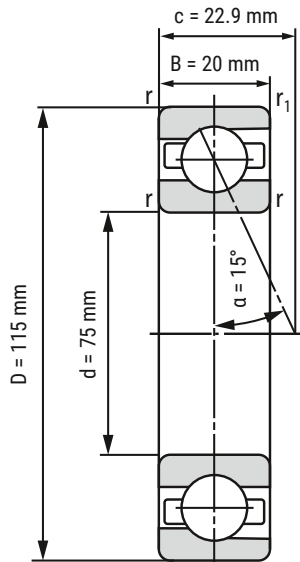


Spindle Bearing B7015-C-T-P4S-UL



d	75 mm
D	115 mm
B	20 mm

c	22.9 mm	
D_a	107 mm	Tolerance: H12
d_a	82 mm	Tolerance: h12
r_{min}	1.1 mm	
r_{1 min}	0.6 mm	
r_{a max}	1 mm	
r_{a1 max}	0.6 mm	
α	15°	Contact angle

m	608 kg	Mass
C_r	49480 N	Basic dynamic load rating, radial
C_{0r}	46160 N	Basic static load rating, radial
F_{VL}	290 N	Preload force
F_{VM}	780 N	Preload force
F_{VH}	1570 N	Preload force
C_{aL}	81.2 N/μm	Axial rigidity
C_{aM}	124.1 N/μm	Axial rigidity
C_{aH}	172.5 N/μm	Axial rigidity
n_{G Grease}	11000 r/min	Limiting speed grease lubrication
n_{G Oil}	18000 r/min	Limiting speed oil lubrication

i All indications were made carefully and verified. Kugellager-Express doesn't assume any liability for incomplete or false indications.

HERE YOU'LL FIND THE
ITEM WEBPAGE
(click or scan)

