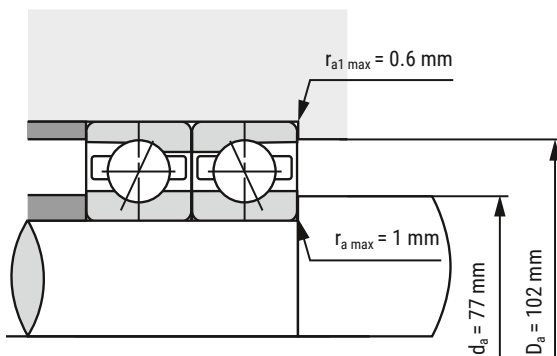
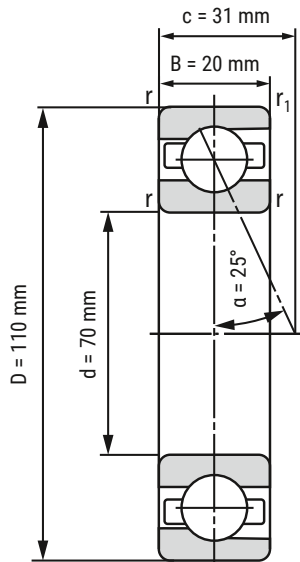


Spindle Bearing B7014-E-T-P4S-UL



d	70 mm
D	110 mm
B	20 mm

c	31 mm	
D_a	102 mm	Tolerance: H12
d_a	77 mm	Tolerance: h12
r_{min}	1.1 mm	
r_{1 min}	0.6 mm	
r_{a max}	1 mm	
r_{a1 max}	0.6 mm	
α	25°	Contact angle

m	577 kg	Mass
C_r	45740 N	Basic dynamic load rating, radial
C_{0r}	41140 N	Basic static load rating, radial
F_{VL}	490 N	Preload force
F_{VM}	1080 N	Preload force
F_{VH}	2160 N	Preload force
C_{aL}	196 N/μm	Axial rigidity
C_{aM}	262.8 N/μm	Axial rigidity
C_{aH}	344.3 N/μm	Axial rigidity
n_{G Grease}	10000 r/min	Limiting speed grease lubrication
n_{G Oil}	17000 r/min	Limiting speed oil lubrication

i All indications were made carefully and verified. Kugellager-Express doesn't assume any liability for incomplete or false indications.

HERE YOU'LL FIND THE
ITEM WEBPAGE
(click or scan)

