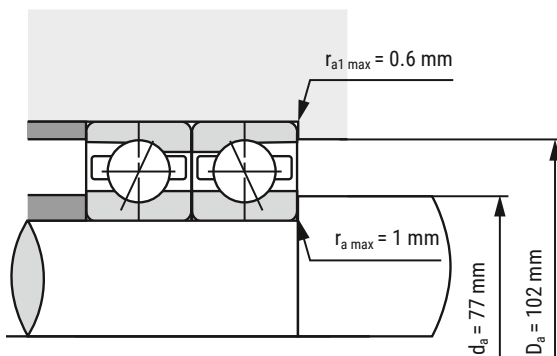
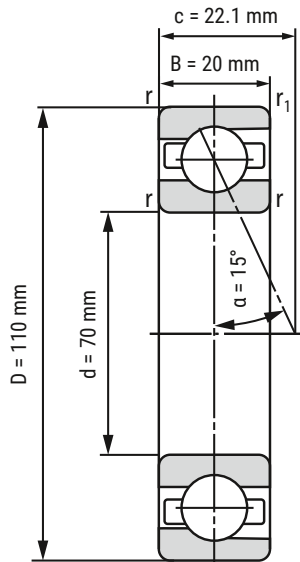


Spindle Bearing B7014-C-T-P4S-UL



d	70 mm
D	110 mm
B	20 mm

c	22.1 mm	
Da	102 mm	Tolerance: H12
da	77 mm	Tolerance: h12
r_{min}	1.1 mm	
r_{1 min}	0.6 mm	
ra max	1 mm	
ra1 max	0.6 mm	
α	15°	Contact angle

m	577 kg	Mass
Cr	48280 N	Basic dynamic load rating, radial
C0r	43220 N	Basic static load rating, radial
FVL	290 N	Preload force
FVM	740 N	Preload force
FVH	1470 N	Preload force
CaL	78.8 N/μm	Axial rigidity
CaM	117.8 N/μm	Axial rigidity
CaH	162.7 N/μm	Axial rigidity
nG Grease	12000 r/min	Limiting speed grease lubrication
nG Oil	19000 r/min	Limiting speed oil lubrication

i All indications were made carefully and verified. Kugellager-Express doesn't assume any liability for incomplete or false indications.

HERE YOU'LL FIND THE
ITEM WEBPAGE
(click or scan)

