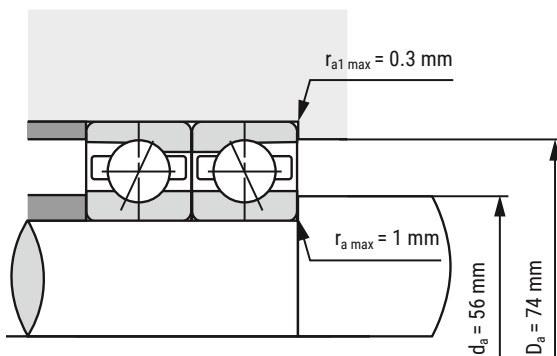
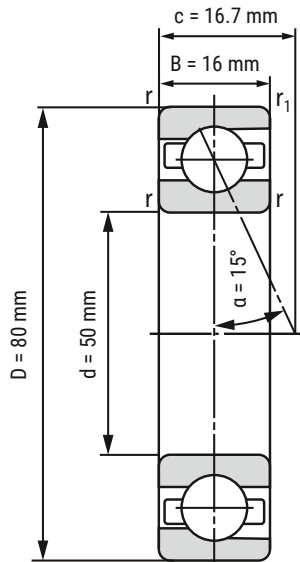


Spindle Bearing B7010-C-T-P4S-UL



d	50 mm
D	80 mm
B	16 mm

c	16.7 mm	
D_a	74 mm	Tolerance: H12
d_a	56 mm	Tolerance: h12
r_{min}	1 mm	
r_{1 min}	0.6 mm	
r_{a max}	1 mm	
r_{a1 max}	0.3 mm	
α	15°	Contact angle

m	254 kg	Mass
C_r	25970 N	Basic dynamic load rating, radial
C_{0r}	21830 N	Basic static load rating, radial
F_{VL}	150 N	Preload force
F_{VM}	390 N	Preload force
F_{VH}	780 N	Preload force
C_{aL}	56.6 N/μm	Axial rigidity
C_{aM}	85.4 N/μm	Axial rigidity
C_{aH}	118.5 N/μm	Axial rigidity
n_{G Grease}	17000 r/min	Limiting speed grease lubrication
n_{G Oil}	28000 r/min	Limiting speed oil lubrication

i All indications were made carefully and verified. Kugellager-Express doesn't assume any liability for incomplete or false indications.

HERE YOU'LL FIND THE
ITEM WEBPAGE
(click or scan)

