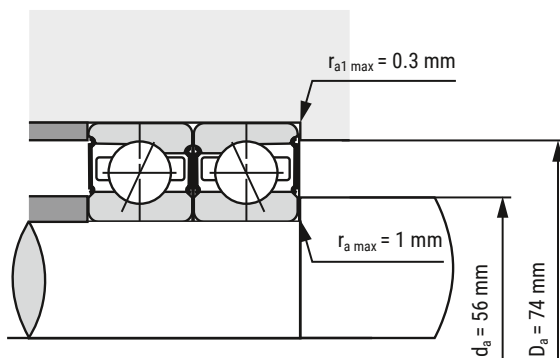
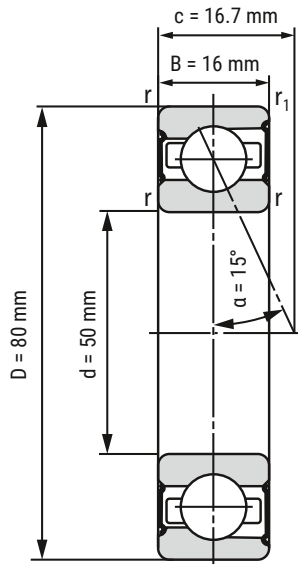


Spindle Bearing

B7010-C-2RSD-T-P4S-UL



d	50 mm
D	80 mm
B	16 mm

c	16.7 mm	
D_a	74 mm	Tolerance: H12
d_a	56 mm	Tolerance: h12
r_{min}	1 mm	
$r_{1 \text{ min}}$	0.6 mm	
$r_{a \text{ max}}$	1 mm	
$r_{a1 \text{ max}}$	0.3 mm	
α	15°	Contact angle

m	254 kg	Mass
C_r	25980 N	Basic dynamic load rating, radial
C_{0r}	21840 N	Basic static load rating, radial
F_{VL}	150 N	Preload force
F_{VM}	390 N	Preload force
F_{VH}	780 N	Preload force
C_{aL}	56.6 N/ μm	Axial rigidity
C_{aM}	85.4 N/ μm	Axial rigidity
C_{aH}	118.5 N/ μm	Axial rigidity
$n_{G \text{ Grease}}$	17000 r/min	Limiting speed grease lubrication
$n_{G \text{ Oil}}$	k.A.	Limiting speed oil lubrication

i All indications were made carefully and verified. Kugellager-Express doesn't assume any liability for incomplete or false indications.

HERE YOU'LL FIND THE
ITEM WEBPAGE
(click or scan)

