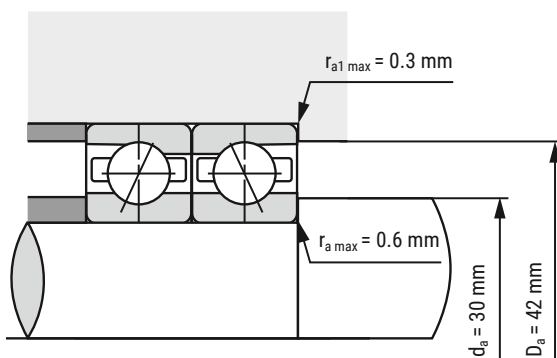
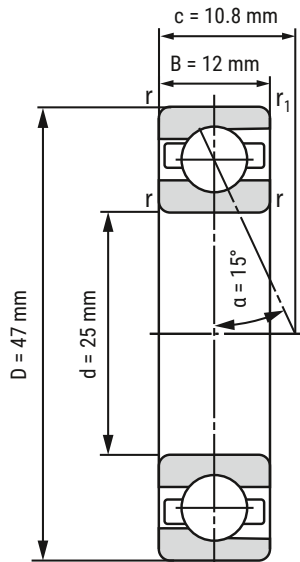


Spindle Bearing B7005-C-T-P4S-UL



d	25 mm
D	47 mm
B	12 mm

c	10.8 mm	
D_a	42 mm	Tolerance: H12
d_a	30 mm	Tolerance: h12
r_{min}	0.6 mm	
r_{1 min}	0.3 mm	
r_{a max}	0.6 mm	
r_{a1 max}	0.3 mm	
α	15°	Contact angle

m	75 kg	Mass
C_r	12280 N	Basic dynamic load rating, radial
C_{0r}	8010 N	Basic static load rating, radial
F_{VL}	59 N	Preload force
F_{VM}	150 N	Preload force
F_{VH}	290 N	Preload force
C_{aL}	30.4 N/μm	Axial rigidity
C_{aM}	45.5 N/μm	Axial rigidity
C_{aH}	62 N/μm	Axial rigidity
n_{G Grease}	34000 r/min	Limiting speed grease lubrication
n_{G Oil}	50000 r/min	Limiting speed oil lubrication

i All indications were made carefully and verified. Kugellager-Express doesn't assume any liability for incomplete or false indications.

HERE YOU'LL FIND THE
ITEM WEBPAGE
(click or scan)

