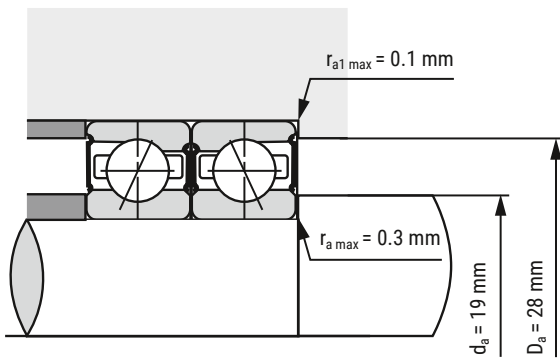
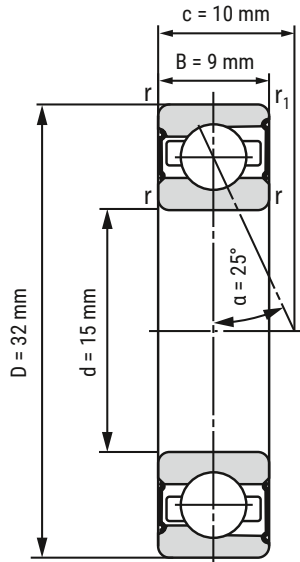


## Spindle Bearing

### B7002-E-2RSD-T-P4S-UL



|          |       |
|----------|-------|
| <b>d</b> | 15 mm |
| <b>D</b> | 32 mm |
| <b>B</b> | 9 mm  |

|                           |        |                |
|---------------------------|--------|----------------|
| <b>c</b>                  | 10 mm  |                |
| <b>D<sub>a</sub></b>      | 28 mm  | Tolerance: H12 |
| <b>d<sub>a</sub></b>      | 19 mm  | Tolerance: h12 |
| <b>r<sub>min</sub></b>    | 0.3 mm |                |
| <b>r<sub>1 min</sub></b>  | 0.2 mm |                |
| <b>r<sub>a max</sub></b>  | 0.3 mm |                |
| <b>r<sub>a1 max</sub></b> | 0.1 mm |                |
| <b>α</b>                  | 25°    | Contact angle  |

|                             |             |                                   |
|-----------------------------|-------------|-----------------------------------|
| <b>m</b>                    | 28 kg       | Mass                              |
| <b>C<sub>r</sub></b>        | 6330 N      | Basic dynamic load rating, radial |
| <b>C<sub>0r</sub></b>       | 3530 N      | Basic static load rating, radial  |
| <b>F<sub>VL</sub></b>       | 39 N        | Preload force                     |
| <b>F<sub>VM</sub></b>       | 100 N       | Preload force                     |
| <b>F<sub>VH</sub></b>       | 200 N       | Preload force                     |
| <b>C<sub>aL</sub></b>       | 45 N/μm     | Axial rigidity                    |
| <b>C<sub>aM</sub></b>       | 63.7 N/μm   | Axial rigidity                    |
| <b>C<sub>aH</sub></b>       | 83.4 N/μm   | Axial rigidity                    |
| <b>n<sub>G Grease</sub></b> | 45000 r/min | Limiting speed grease lubrication |
| <b>n<sub>G Oil</sub></b>    | k.A.        | Limiting speed oil lubrication    |

**i** All indications were made carefully and verified. Kugellager-Express doesn't assume any liability for incomplete or false indications.

HERE YOU'LL FIND THE  
ITEM WEBPAGE  
(click or scan)

