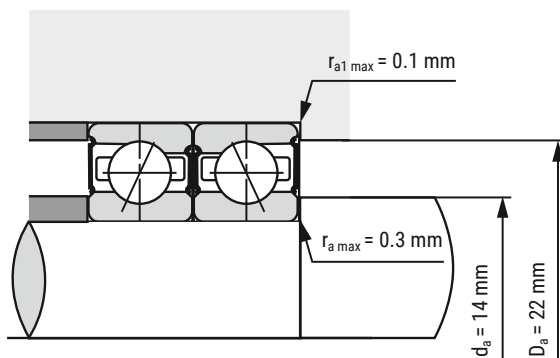
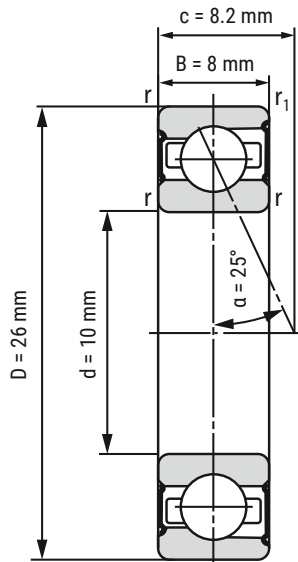


Spindle Bearing

B7000-E-2RSD-T-P4S-UL



d	10 mm
D	26 mm
B	8 mm

c	8.2 mm	
D_a	22 mm	Tolerance: H12
d_a	14 mm	Tolerance: h12
r_{min}	0.3 mm	
r_{1 min}	0.3 mm	
r_{a max}	0.3 mm	
r_{a1 max}	0.1 mm	
α	25°	Contact angle

m	22 kg	Mass
C_r	2860 N	Basic dynamic load rating, radial
C_{0r}	1500 N	Basic static load rating, radial
F_{VL}	15 N	Preload force
F_{VM}	44 N	Preload force
F_{VH}	89 N	Preload force
C_{aL}	22.4 N/μm	Axial rigidity
C_{aM}	35.8 N/μm	Axial rigidity
C_{aH}	47.6 N/μm	Axial rigidity
n_{G Grease}	56000 r/min	Limiting speed grease lubrication
n_{G Oil}	k.A.	Limiting speed oil lubrication

i All indications were made carefully and verified. Kugellager-Express doesn't assume any liability for incomplete or false indications.

HERE YOU'LL FIND THE
ITEM WEBPAGE
(click or scan)

